

SECTION 2 - CONTRACTOR'S PROPOSAL

CONTRACTOR'S NAME: R.E. Schultz Construction, Inc.

THE HONORABLE MAYOR AND CITY COUNCIL
 CITY OF GARDEN GROVE
 11222 ACACIA PARKWAY
 GARDEN GROVE, CALIFORNIA 92840

SUBJECT PROJECT: **GARDEN GROVE PARK IMPROVEMENTS-PHASE 2**
CITY PROJECT NO. 2163101280-2

Potential Bidders:

The undersigned, having carefully examined the Plans and Specifications for the above subject project and having personally visited the site of the work and been made familiar with the conditions, **HEREBY PROPOSE** to furnish all labor, materials, equipment and transportation, and do all the work required to complete the said work in accordance with the said Plans and Specifications for the unit prices named in the following bid proposal:

BID PROPOSAL

ITEM NO.	APPROX. QUANTITY	ITEM WITH UNIT WRITTEN IN WORDS	UNIT PRICE	ITEM TOTAL
1	300-1.4	1 LS Mobilization (maximum 6%) Fifteen Thousand Dollars	\$ 15,000.00	\$ 15,000.00
			Per Lump Sum	
2	300-1.4	1 LS Demolition / Clearing & Grubbing Twelve Thousand Five Hundred Dollars	\$ 12,500.00	\$ 12,500.00
			Per Lump Sum	
3	300-2.9	1 LS Grading Sixteen Thousand Five Hundred Dollars	\$ 16,500.00	\$ 16,500.00
			Per Lump Sum	
4	303-5.9	720 SF Concrete Paving Eighteen Dollars	\$ 18.00	\$ 12,960.00
			Per Square Foot	
5	303-5.9	436 LF Play Area Curb Fifty-Two Dollars	\$ 52.00	\$ 22,672.00
			Per Linear	
6	313-1.1	1 LS Storing & Installing Play Equipment Sixty-Eight Thousand Five Hundred Dollars	\$ 68,500.00	\$ 68,500.00

SECTION 2 – CONTRACTOR’S PROPOSAL ...(continued)

ITEM NO.	APPROX. QUANTITY	ITEM WITH UNIT WRITTEN IN WORDS	UNIT PRICE	ITEM TOTAL
Per Lump Sum				
7	315-1.8	5060 SF Resilient Play Surfacing & Slurry Base Twenty-Seven Dollars	\$ 27.00	\$ 136,620.00
Per Square Foot				
8	313-1.1	1 Storing & Installing 2-5 Play Area Shade Canopy Three Thousand Dollars	\$ 3,000.00	\$ 3,000.00
Per Each				
9	313-1	4 LS Installing Benches One Thousand Six Hundred Dollars	1,600.00	1,600.00
10	316-3	1 LS Electrical Improvements Thirty-Five Thousand Six Hundred and Forty Dollars	\$ 35,640.00	\$ 35,640.00
Per Lump Sum				
11	801-8	4,000 Soil Preparation / Fine Grading Two Dollars	\$ 2.00	\$ 8,000.00
Per Square Foot				

Total Written in Words:

Total in Figures

Three Hundred and Thirty-Two Thousand
Nine Hundred and Ninety-Two Dollars

\$ 332,992.00

1. The quantities listed for each item in the Proposal Bid Sheets are supplied to give an indication of the general scope of work, but the accuracy of these figures is not guaranteed and the BIDDER shall make his own estimates from the Plans & Specifications. In case of a variation between the Unit Price and the corresponding item Total shown by the BIDDER, the Unit Price shall be considered to be the Bid. The Bidder will be paid for each item by the actual quantity required and installed on the project. The City of Garden Grove reserves the right to increase or decrease the amount of any class or portion of the work as may be deemed necessary or expedient by the Project Manager.

2. The City of Garden Grove desires to construct all improvements within these Plans & Specifications. However, the CITY reserves the right to reject portions or all of the above bid items if sufficient funds are not available, or the CITY determines it is not in the CITY’S best interest to award the Contract.

NOTES:

1. In case of discrepancy between the words and figures, the words shall prevail.
2. The aforementioned quantities are approximate only, being given as a basis for the comparison of bids, and the City of Garden Grove does not expressly or by implication, agree that the actual amount of work will correspond therewith, but reserves the right to increase or decrease the amount of any class or portion of work as may be deemed necessary or expedient by the Project Manager.

It is understood and agreed that:

(a) Pursuant to Section 1773.2 of the Labor Code, general prevailing wage rates established by the Director of the Department of Industrial Relations shall be posted by the Contractor at a prominent place at the site of the work.

The Federal Davis-Bacon Act prevailing wages apply to the work. If there is a difference in the minimum wage rate predetermined by the Secretary of Labor and the prevailing wage rates determined by the Director of Industrial Relations, for similar classifications of labor, the Contractor and its subcontractors shall pay not less than the highest wage rate.

(b) No verbal agreement or conversation with any officer, agent or employee of CITY, either before or after the execution of the Agreement shall affect or modify any of the terms or obligations of this Proposal.

(c) CITY will not be responsible for any errors or omissions on the part of the undersigned in making up their bid, nor will bidders be released because of errors.

(d) The undersigned is licensed in accordance with the laws of the State of California.

(e) The undersigned hereby certifies that this Proposal is genuine and is not sham or collusive, or made in the interest or on behalf of any person not herein named, and that the undersigned has not directly or indirectly induced or solicited any other bidder to put in a sham bid; or any other person, firm or corporation to refrain from bidding, that the undersigned has not in any manner sought, by collusion, to secure for itself an advantage over any other bidder and that the unit prices proposed herein shall remain fully in effect for 180 calendar days from bid opening.

I declare under penalty of perjury that all statements or representations made herein are true and correct.

R.E. Schultz Construction, Inc.

BIDDER'S NAME



AUTHORIZED SIGNATURE

DATE: 4/11/22

Corporation

TYPE OF ORGANIZATION: INDIVIDUAL,
PARTNERSHIP OR CORPORATION

1767 North Batavia Street, Orange, CA 92865
ADDRESS

714-649-2627
TELEPHONE

714-740-5049
FAX

9/30/23
EXPIRATION DATE

CSLB #1007195
STATE OF CALIFORNIA LICENSE NUMBER

SECTION 3 - DESIGNATION OF SUBCONTRACTORS/REFERENCES

- The undersigned certifies that the sub-bids of the following listed subcontractors have been used in making up this bid, and that the subcontractors listed will be used for the work for which they bid, subject to the approval of the Community Services Manager, and in accordance with the applicable provisions of the Specifications.

Bidder's Full and Legal Name R.E. Schultz Construction, Inc. -1

PART I

The bidder shall list all subcontractors (both DBE and non-DBE) in pursuant to Public Contract Code Sections §4104 of California Public Contract Code. This listing is required in addition to listing DBE Subcontractors elsewhere in the proposal. Photocopy this form for additional firms.

Firm Name/LICENSE NUMBER Address/ City, State, ZIP	Phone/ Fax	Annual Gross Receipts	Description of Items of Work to be Performed	Local Agency Use Only (Certified DBE?)
Name Robertson Industries, Inc.	Phone 800-858-0519	<input type="checkbox"/> < \$1 million <input type="checkbox"/> < \$5 million <input type="checkbox"/> < \$10 million <input checked="" type="checkbox"/> < \$15 million <input type="checkbox"/> > \$15 million	PIP Rubber Surfacing - Line Item #7	<input type="checkbox"/> YES <input type="checkbox"/> NO If YES list DBE #
Address 2414 W 12th St. Ste. 5	Fax			
City State ZIP Tempe, AZ 85281	602-340-0402			Age of Firm (Yrs.)
Name MSL Electric	Phone 714-693-4837	<input checked="" type="checkbox"/> < \$1 million <input type="checkbox"/> < \$5 million <input type="checkbox"/> < \$10 million <input type="checkbox"/> < \$15 million <input type="checkbox"/> > \$15 million	Electrical Improvements - Line Item #10	<input type="checkbox"/> YES <input type="checkbox"/> NO If YES list DBE #
Address 2918 E. La Jolla St.	Fax			
City State ZIP Anaheim, CA	714-693-4838			Age of Firm (Yrs.)
Name 92806	Phone	<input type="checkbox"/> < \$1 million <input type="checkbox"/> < \$5 million <input type="checkbox"/> < \$10 million <input type="checkbox"/> < \$15 million <input type="checkbox"/> > \$15 million		<input type="checkbox"/> YES <input type="checkbox"/> NO If YES list DBE #
Address	Fax			
City State ZIP				Age of Firm (Yrs.)
Name	Phone	<input type="checkbox"/> < \$1 million <input type="checkbox"/> < \$5 million <input type="checkbox"/> < \$10 million <input type="checkbox"/> < \$15 million <input type="checkbox"/> > \$15 million		<input type="checkbox"/> YES <input type="checkbox"/> NO If YES list DBE #
Address	Fax			
City State ZIP				Age of Firm (Yrs.)

PART II

The bidder shall list all subcontractors who provided a quote or bid but were not selected to participate as a subcontractor on this project. This is required for compliance with Public Contract Code Sections §4104 of California Public Contract Code. Photocopy this form for additional firms.

Firm Name/ Address/ City, State, ZIP	Phone/ Fax	Annual Gross Receipts	Description of items of Work to be Performed	Local Agency Use Only (Certified DBE?)
Name	Phone	<input type="checkbox"/> < \$1 million <input type="checkbox"/> < \$5 million <input type="checkbox"/> < \$10 million <input type="checkbox"/> < \$15 million <input type="checkbox"/> > \$15 million		<input type="checkbox"/> YES <input type="checkbox"/> NO If YES list DBE #:
Address	Fax			Age of Firm (Yrs.)
City State ZIP				
Name	Phone	<input type="checkbox"/> < \$1 million <input type="checkbox"/> < \$5 million <input type="checkbox"/> < \$10 million <input type="checkbox"/> < \$15 million <input type="checkbox"/> > \$15 million		<input type="checkbox"/> YES <input type="checkbox"/> NO If YES list DBE #:
Address	Fax			Age of Firm (Yrs.)
City State ZIP				
Name	Phone	<input type="checkbox"/> < \$1 million <input type="checkbox"/> < \$5 million <input type="checkbox"/> < \$10 million <input type="checkbox"/> < \$15 million <input type="checkbox"/> > \$15 million		<input type="checkbox"/> YES <input type="checkbox"/> NO If YES list DBE #:
Address	Fax			Age of Firm (Yrs.)
City State ZIP				
Name	Phone	<input type="checkbox"/> < \$1 million <input type="checkbox"/> < \$5 million <input type="checkbox"/> < \$10 million <input type="checkbox"/> < \$15 million <input type="checkbox"/> > \$15 million		<input type="checkbox"/> YES <input type="checkbox"/> NO If YES list DBE #:
Address	Fax			Age of Firm (Yrs.)
City State ZIP				

CALIFORNIA JURAT

GOVERNMENT CODE § 8202

A notary public or other officer completing this certificate verifies only the identity of the individual who signed the document to which this certificate is attached, and not the truthfulness, accuracy, or validity of that document.

State of California

County of Ventura

Subscribed and sworn to (or affirmed) before me on
this 11 day of April, 2022, by
Date Month Year

(1) Richard Schultz

(and (2) _____),
Name(s) of Signer(s)

proved to me on the basis of satisfactory evidence to
be the person(s) who appeared before me.

Signature [Signature]
Signature of Notary Public



Place Notary Seal and/or Stamp Above

OPTIONAL

Completing this information can deter alteration of the document or
fraudulent reattachment of this form to an unintended document.

Description of Attached Document

Title or Type of Document: Affidavit to Accompany Proposal

Document Date: 04/11/2022 Number of Pages: 2

Signer(s) Other Than Named Above: _____

SECTION 4 - AFFIDAVIT TO ACCOMPANY PROPOSAL

USE THIS FORM WHEN BIDDER IS AN INDIVIDUAL

State of California)
County of Orange) ss.

(Name) _____ Affiant,
being first duly sworn, deposes and says:

That it is the bidder who makes the accompanying proposal; that such proposal is genuine, and not sham or collusive, nor made in the interest or on behalf of any person not herein named, and that the bidder has not directly or indirectly induced or solicited any other bidder to put in a sham bid, or any other person, firm or corporation to refrain from bidding, and that the bidder has not in any manner sought by collusion to secure for itself an advantage over any other bidder.

Subscribed and sworn to before me _____

This _____ day of _____, 20____.

Signature: _____

Notary Public in and for the County of _____, State of _____

USE THIS FORM WHEN BIDDER IS A CORPORATION

State of California)
County of Orange) ss.

Richard Schütz _____ affiant, the _____ President, Sole Officer
Pres., Sec., or Mgr. Of
of R.E. Schultz Construction, Inc. _____
Name of Corporation

The corporation who makes the accompanying proposal, having first been duly sworn, deposes and says: That such proposal is genuine and not sham or collusive, nor made in the interest or on behalf of any person not herein named, and that the bidder has not directly or indirectly induced or solicited any other bidder to put in a sham bid, or any other person, firm or corporation to refrain from bidding, and that the bidder has not in any manner sought by collusion to secure for itself an advantage over any other bidder.

Signature
President, Secretary or Managing Officer

Subscribed and sworn to before me _____

This _____ day of _____, 20____.

Notary Public in and for the County of _____, State of _____

SEE NOTARY ATTACHED

Signature: _____

SECTION 4 – AFFIDAVIT TO ACCOMPANY PROPOSAL (Continued)

USE THIS FORM WHEN BIDDER IS A CO-PARTNERSHIP

State of California)
County of Orange) ss.

_____, Affiant(s),
Being first duly sworn, each for itself deposes and says:

That _____
 (Names of all Partners)

are partners, doing business under the firm name and style of

_____ and that said co-partnership
 (Name of Firm)

makes the accompanying proposal; that such proposal is genuine, and not sham or collusive, nor made in the interest or on behalf of any person not herein named, and that the bidder has not directly or indirectly induced or solicited any other bidder to put in a sham bid, or any other person, firm or corporation to refrain from bidding, and that the bidder has not in any manner sought by collusion to secure for itself an advantage over any other bidder.

Subscribed and sworn to before me _____

This _____ day of _____, 20_____.

Notary Public in and for the County of _____,
_____, State of _____

Signature: _____

SECTION 4 – AFFIDAVIT TO ACCOMPANY PROPOSAL (Continued)

CERTIFICATION WITH REGARD TO THE PERFORMANCE OF PREVIOUS CONTRACTS OR SUBCONTRACTS SUBJECT TO THE EQUAL EMPLOYMENT OPPORTUNITY CLAUSE AND THE FILING OF REQUIRED REPORTS

The bidder x , proposed subcontractor _____, hereby certifies that he has x , has not _____, participated in a previous contract or subcontract subject to the equal opportunity clause, as required by Executive Orders 10925, 11114, or 11246, and that he has x , has not _____, filed with the Joint Reporting Committee, the Director of the Office of Federal Contract Compliance, a Federal Government contracting or administering agency, or the former President's Committee on Equal Employment Opportunity, all reports due under the applicable filing requirements.

By:  Richard Schultz
 President, Sole Officer
 (Title)

Date: 4/11/22

Note: The above certification is required by the Equal Employment Opportunity Regulations of the Secretary of Labor (41 CFR 60-1.7 (b) (1)), and must be submitted by bidders and proposed subcontractors only in connection with contracts and subcontracts, which are subject to the equal opportunity clause. Contracts and subcontracts which are exempt from the equal opportunity clause are set forth in 41 CFR 60-1.5. (Generally, only contracts or subcontracts of \$10,000 or under are exempt.)

Currently, Standard Form 100 (EEO-1) is the only report required by the Executive Orders or their implementing regulations.

Proposed prime contractors and subcontractors who have participated in a previous contract or subcontract subject to the Executive Orders and have not filed the required reports should note that 41 CFR 60-1.7 (b) (1) prevents the award of contracts and subcontracts unless such contractor submits a report covering the delinquent period or such other period specified by the Federal Highway Administration or by the Director, Office of Federal Contract Compliance, U.S. Department of Labor.

(THE BIDDER'S EXECUTION ON THE SIGNATURE PORTION OF THIS PROPOSAL SHALL ALSO CONSTITUTE AN ENDORSEMENT AND EXECUTION OF THOSE CERTIFICATIONS WHICH ARE A PART OF THIS PROPOSAL)

EQUAL EMPLOYMENT OPPORTUNITY CERTIFICATION

The bidder R.E. Schultz Construction, Inc.

[proposed subcontractor] _____ hereby certifies that he/she/it has, has not, participated in a previous contract or subcontract subject to the Equal Opportunity clauses, as required by Executive Orders 10925, 1 1114, or 11246, and that, where required, he/she/it has filed with the Joint

Reporting Committee, the Director of the Office of Federal Contract Compliance, a Federal Government contracting or administering agency, or the former President's Committee on Equal Employment Opportunity, all reports due under the applicable filing requirements.

Note: The above certification is required by the Equal Employment Opportunity Regulations of the Secretary of Labor (41 CFR 60-1.7(b) (1)), and must be submitted by bidders and proposed subcontractors only in connection with contracts and subcontracts which are subject to the equal opportunity clause. Contracts and subcontracts which are exempt from the equal opportunity clause are set forth in 41 CFR 60-1.5. (Generally only contracts or subcontracts of \$ 10,000 or under are exempt.)

Currently, Standard Form 100 (EEO-I) is the only report required by the Executive Orders or their implementing regulations. (eeoc.gov/employers/eeol_survey/index.cfm)

Proposed prime contractors and subcontractors who have participated in a previous contract or subcontract subject to the Executive Orders and have not filed the required reports should note that 41 CFR 60-1.7(b) (1) prevents the award of contracts and subcontracts unless such contractor submits a report covering the delinquent period or such other period specified by the Federal Highway Administration or by the Director, Office of Federal Contract Compliance, U.S. Department of Labor.

Signature:  Date: 4/11/22

Print Name: Richard Schultz

Title: President, Sole Officer

Equal Employment Opportunity Clause

During the performance of this contract, the Contractor agrees as follows:

- (a) The Contractor shall not discriminate against any employee or applicant for employment because of race, color, religion, sex, national origin, or handicap.
- (b) The Contractor shall take affirmative action to ensure that applicants are employed, and that employees are treated during employment without regard to their race, color, religion, sex, national origin, or handicap. Such action shall include, but not be limited to, (1) employment, (2) upgrading, (3) demotion, (4) transfer, (5) recruitment or recruitment advertising, (6) layoff or termination, (7) rates of pay or other forms of compensation, and (8) selection for training, including apprenticeship.
- (c) The Contractor shall post in conspicuous places available to employees and applicants for employment the notices to be provided by the Contracting Officer that explain this clause.
- (d) The Contractor shall, in all solicitations or advertisements for employees placed by or on behalf of the Contractor, state that all qualified applicants will receive consideration for employment without regard to race, color, religion, sex, national origin, or handicap.
- (e) The Contractor shall send, to each labor union or representative of workers with which it has a collective bargaining agreement or other contract or understanding, the notice to be provided by the Contracting Officer advising the labor union or workers' representative of the Contractor's commitments under this clause, and post copies of the notice in conspicuous places available to employees and applicants for employment.
- (f) The Contractor shall comply with Executive Order 11246, as amended, and the rules, regulations, and orders of the Secretary of Labor.
- (g) The Contractor shall furnish all information and reports required by Executive Order 11246, as amended, Section 503 of the Rehabilitation Act of 1973, as amended, and by rules, regulations, and orders of the Secretary of Labor, or pursuant thereto. The Contractor shall permit access to its books, records, and accounts by the Secretary of Labor for purposes of investigation to ascertain compliance with such rules, regulations, and orders.
- (h) In the event of a determination that the Contractor is not in compliance with this clause or any rule, regulation, or order of the Secretary of Labor, this contract may be canceled, terminated, or suspended in whole or in part, and the Contractor may be declared ineligible for further Government contracts, or Federally assisted construction contracts under the procedures authorized in Executive Order 11246, as amended. In addition, sanctions may be imposed and remedies invoked against the Contractor as provided in Executive Order 11246, as amended, the rules, regulations, and orders of the Secretary of Labor, or as otherwise provided by law.
- (i) The Contractor shall include the terms and conditions of this clause in every subcontract or purchase order unless exempted by the rules, regulations, or orders of the Secretary of Labor issued under Executive Order 11246, as amended, so that these terms and conditions will be binding upon each subcontractor or vendor. The Contractor shall take such action with respect to any subcontract or purchase order as the Secretary of Housing and Urban Development or the Secretary of Labor may direct as a means of enforcing such provisions, including sanctions for noncompliance; provided that if the Contractor becomes involved in, or is threatened with, litigation with a subcontractor or vendor as a result of such direction, the Contractor may request the United States to enter into the litigation to protect the interests of the United States.
- (j) Compliance with the requirements of this clause shall be to the maximum extent consistent with, but not in derogation of, compliance with section 7(b) of the Indian Self-Determination and Education Assistance Act and the Indian Preference clause of this contract.

PUBLIC CONTRACT CODE

Public Contract Code Section 10285.1 Statement

In conformance with Public Contract Code Section 10285.1 (Chapter 376, Stats. 1985), the bidder hereby declares

Under penalty of perjury under the laws of the State of California that the bidder has , has not been convicted within the preceding three years of any offenses referred to in that section, including any charge of fraud, bribery, collusion, conspiracy, or any other act in violation of any state or Federal antitrust law in connection with the bidding upon, award of, or performance of, any community services contract, as defined in Public Contract Code Section 1101, with any public entity, as defined in Public Contract Code Section 1100, including the Regents of the University of California or the Trustees of the California State University. The term "bidder" is understood to include any partner, member, officer, director, responsible managing officer, or responsible managing employee thereof, as referred to in Section 10285.1.

Note: The bidder must place a checkmark after "has" or "has not" in one of the blank spaces provided. The above Statement is part of the Proposal. Signing this Proposal on the signature portion thereof shall also constitute signature of this Statement. Bidders are cautioned that making a false certification may subject the certifier to criminal prosecution.

Public Contract Code Section 10162 Questionnaire

In conformance with Public Contract Code Section 10162, the Bidder shall complete, under penalty of perjury, the following questionnaire:

Has the bidder, any officer of the bidder, or any employee of the bidder who has a proprietary interest in the bidder, ever been disqualified, removed, or otherwise prevented from bidding on, or completing a federal, state, or local government project because of a violation of law or a safety regulation?

Yes No

If the answer is yes, explain the circumstances in the following space.

Public Contract Code 10232 Statement

In conformance with Public Contract Code Section 10232, the Contractor, hereby states under penalty of perjury, that no more than one final unappealable finding of contempt of court by a federal court has been issued against the Contractor within the immediately preceding two-year period because of the Contractor's failure to comply with an order of a federal court which orders the Contractor to comply with an order of the National Labor Relations Board.

Note: The above Statement and Questionnaire are part of the Proposal. Signing this Proposal on the signature portion thereof shall also constitute signature of this Statement and Questionnaire.

Bidders are cautioned that making a false certification may subject the certifier to criminal prosecution.

Noncollusion Affidavit
(Title 23 United States Code Section 112 and
Public Contract Code Section 7106)

[NAME OF CONTRACT] R.E. Schultz Construction, Inc.

To the City of Garden Grove
DEPARTMENT OF COMMUNITY SERVICES.

In conformance with Title 23 United States Code Section 112 and California Public Contract Code 7106 the bidder declares that the bid is not made in the interest of, or on behalf of, any undisclosed person, partnership, company, association, organization, or corporation; that the bid is genuine and not collusive or sham; that the bidder has not directly or indirectly induced or solicited any other bidder to put in a false or sham bid, and has not directly or indirectly colluded, conspired, connived, or agreed with any bidder or anyone else to put in a sham bid, or that anyone shall refrain from bidding; that the bidder has not in any manner, directly or indirectly, sought by agreement, communication, or conference with anyone to fix the bid price of the bidder or any other bidder, or to fix any overhead, profit, or cost element of the bid price, or of that of any other bidder, or to secure any advantage against the public body awarding the contract of anyone interested in the proposed contract; that all statements contained in the bid are true; and, further, that the bidder has not, directly or indirectly, submitted his or her bid price or any breakdown thereof, or the contents thereof, or divulged information or data relative thereto, or paid, and will not pay, any fee to any corporation, partnership, company association, organization, bid depository, or to any member or agent thereof to effectuate a collusive or sham bid.

Note: The above Noncollusion Affidavit is part of the Bidder's Proposal. By signing the Proposal, the Bidder has also signed this Noncollusion Affidavit.

Bidders are cautioned that making a false Certification may subject the Bidder to criminal prosecution.

Signature:



Date: 4/11/22

Print Name: Richard Schultz

Title: President, Sole Officer

SECTION 4 B - QUESTIONNAIRE TO GENERAL CONTRACTORS

1. Has any person or group threatened you with subcontractor boycotts, union boycotts, or other sanctions to attempt to convince you to use the services or abide by the rules of one or more bid depositories?

Yes () No (x)

2. If the answer to No. 1 is "yes," please explain the following details:

(a) Date(s):

(b) Name of person or group:

(c) Job involved (if applicable):

(d) Nature of threats:

(e) Additional comments:
(Use additional paper if necessary)

We declare under penalty of perjury that the foregoing is true and correct.

Dated this 11th day of April, 2022.

R.E. Schultz Construction, Inc.
Name of Company

By  Richard Schultz

President, Sole Officer
Title

SECTION 4 B - QUESTIONNAIRE TO GENERAL CONTRACTORS (Continued)

QUESTIONNAIRE REGARDING BIDDERS

Number of years engaged in the contracting business under present business name +25.

List of last three contracts performed which show experience in work of a nature similar to that covered in this proposal. If none, so indicate.

<u>Year</u>	<u>Type of Work</u>	<u>Contract Amt.</u>	<u>Location</u>	<u>For whom Performed & Phone Number</u>
2021	Neighborhood Park Improvements	\$887,184.00	5728 Robusto Rd., San Diego, CA 92124	City of San Diego Fadi Zako: 858-654-4455
2021	Playground Renovation	\$197,729.11	700 Pomona Avenue Coronado, CA 92118	City of Coronado Ruby Carr: 619-522-7383
2022	Park Renovation Project	\$363,056.00	33972 Golden Lantern Dana Point, CA 92629	City of Dana Point Scott Fisher: 949-248-3558

REFERENCES:

Following are the names, addresses and telephone numbers of firms or agencies with which you may confirm the past performances of the company in performing work of a similar nature and scope:

<u>Firm/Address</u>	<u>Type of Work</u>	<u>Contact Person Telephone No.</u>	<u>Contract Amount</u>
City of Newport Beach 100 Civic Center Dr., Newport Beach, CA 92660	Playground Improvements	Kathryne Cho 949-644-3014	\$296,905.00
City of Beverly Hills 455 N. Rexford Dr., Beverly Hills, CA 90210	Playground replacement and site improvements.	Mandana Motahar 310-288-2866	\$795,751.00
City of Cerritos 18125 Bloomfield Ave., Cerritos, CA 90703	Playground Improvement Project	Albert Arteaga 562-916-1229	\$202,344.00
City of El Segundo 350 Main Street, El Segundo, CA 90245	Playground Project	Cheryl Ebert 310-524-2321	\$298,493.00
City of La Mirada 13700 La Mirada Blvd., La Mirada, CA 90638	Rehabilitation of playground areas	Tony Moreno 562-902-2354	\$802,684.00

Bidder's Name: R.E. Schultz Construction, Inc.

Authorized Signature: 

Date: 4/11/22

State of California Contractor's License No. CSLB #1007195

Contractor's License Expiration Date 9/30/23

DIR Registration Number and Expiration Date 1000033385 Exp. 6/30/22

SECTION 4 C - CONTRACTOR'S QUESTIONNAIRE

1. List any lawsuit(s) filed against you or your firm over the past ten (10) years for breach or non-performance of contract:

N/A

2. List the results of any lawsuit(s): N/A

3. List any claim(s) filed by subcontractors against you or your firm over the past ten (10) years: N/A

4. List the results of each claim: N/A

5. List any disciplinary action and the ultimate disposition within the past ten (10) years taken against you or your firm by the State Contractor's License Board: N/A

6. List projects similar to the type applied for herein which you have worked on and how recently the project was performed:

2019	Playground replacement and site improvements: City of Beverly Hills
2021	Neighborhood Park Improvements: City of San Diego
2021	Playground Renovation: City of Coronado
2022	Park Renovation Project: City of Dana Point

I DECLARE UNDER PENALTY OF PERJURY THAT THE FOREGOING IS TRUE, COMPLETE, ACCURATE, AND CORRECT.

Dated: 4/11/22


Contractor's Signature

Accompanying this Bid is Bidder's Bond

(NOTICE: INSERT THE WORDS "CASH (\$ _____)," "CASHIER'S CHECK," "CERTIFIED CHECK," OR "BIDDER'S BOND," AS THE CASE MAY BE.)

in amount equal to at least ten percent of the total of the bid.

The names of all persons interested in the foregoing bid as principals are as follows:

IMPORTANT NOTICE

If bidder or other interested person is a corporation, state legal name of corporation, also names of the president, secretary, treasurer, and manager thereof; if a co- partnership, state true name of firm, also names of all individual copartners composing firm; if bidder or other interested person is an individual, state first and last names in full.

Richard Schultz, President (Sole Officer)

Licensed in conformance with an act providing for the registration of Contractors,

License No. 1007195 Classification(s) A, B, C-61/D34

ADDENDA -

This Bid is submitted with respect to the changes to the contract included in addenda number/s 1 (3/21/22), 2 (3/24/22), 3 (3/31/22), and 4 (4/5/22)

(Fill in addenda numbers if addenda have been received and insert, in this Bid, any Project Manager's Estimate sheets that were received as part of the addenda.)

By my signature on this bid I certify, under penalty of perjury under the laws of the State of California, that the foregoing questionnaire and statements of Public Contract Code Sections 10162, 10232 and 10285.1 are true and correct and that the bidder has complied with the requirements of Section 8103 of the Fair Employment and Housing Commission Regulations (Chapter 5, Title 2 of the California Administrative Code). By my signature on this Bid I further certify, under penalty of perjury under the laws of the State of California and the United States of America, that the Non collusion Affidavit required by Title 23 United States Code, Section 112 and Public Contract Code Section 7106; and the Title 49 Code of Federal Regulations, Part 29 Debarment and Suspension Certification are true and correct.

Date: 4/11/22



[Handwritten Signature]

Richard Schultz, President (Sole Officer)

Signature and Title of Bidder

Business Address 1767 North Batavia Street, Orange, CA 92865

Place of Business 1767 North Batavia Street, Orange, CA 92865

Place of Residence P.O. Box 6, Silverado, CA 92676

**BIDDER/CONTRACTOR/CONSULTANT STATEMENT
REGARDING INSURANCE COVERAGE
(Submit with IFB/RFP Package)**

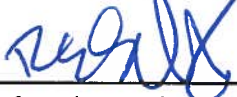
This signed document must be included with your bid/proposal package in order for your bid/proposal to be considered complete!

BIDDER/CONTRACTOR/CONSULTANT HEREBY CERTIFIES that he/she has reviewed and understands the insurance coverage requirements specified in the attached Insurance Requirements Checklist.

Should we/I be awarded the contract, we/I certify that we/I can meet the specified requirements for insurance, including insurance coverage of the subcontractors, and agree to name the **City/Successor Agency/Sanitary District** and other additional insureds as per the agreement for the work specified and we/I will comply with the provisions of Section 3700 of the Labor Code, which require every employer to be insured against liability for worker's compensation or to undertake self-insurance in accordance with the provisions of that code, before commencing the performance of the work specified.

R.E. Schultz Construction, Inc.

Please Print (Person, Firm, or Corporation)



Signature of Authorized Representative

Richard Schultz, President (Sole Officer)

Please Print (Name & Title of Authorized Representative)

4/11/22

714-649-2627

nicole@reschultzconstruction.com

Date

Phone Number

Email

Please note that the City of Garden Grove is now contracted with EBIX for insurance certificate management and review services. EBIX will collect the insurance requirements in the contract on behalf of the City. If you are awarded the contract, you will be contacted by EBIX regarding the insurance requirements listed in this bid in the sample contract. Please forward all insurance documents to EBIX directly per their instructions when contacted.

NOTE: All insurance certificates and endorsements must be received by or sent to EBIX within ten (10) City working days of the original request or the City reserves the right to proceed with the next lowest responsible bidder or the next highest scoring proposer in the process. Please do not send any insurance documents to the City but please use the following email address to send insurance documents to Ebix directly: ggcity@ebix.com.



STATEMENT OF COMPLIANCE

The undersigned Proposer declares that the bid submitted to Furnish all Labor, Material, Tools and Equipment for the Furnish all Labor, Material, Tools, Equipment and Incidentals for the Garden Grove Park Improvements Project-Phase 2, per the bid specifications as described in, and in response to City of Garden Grove IFB No. 2163101280-2 was prepared in strict compliance with the instructions, conditions and terms listed in the IFB, Scope of Work/Bid Specifications and Sample Agreement, with exceptions listed below, if applicable. At least one box for each item must be checked.

IFB Instructions and Terms & Conditions (Check One)

No Exceptions Taken Exceptions Taken


Scope of Work/Bid Specifications (Check One)

No Exceptions Taken Exceptions Taken

Draft Agreement/Insurance Requirements (Check One)

No Exceptions Taken Exceptions Taken

If any exceptions are taken, this Statement of Compliance shall include a narrative that identifies each item to which the Proposer is taking exception or is recommending change, including the suggested rewording of the contractual obligations or suggested change in IFB, and identifies the reasons for submitting the proposed exception or change. When available, please reference specific line item numbers as provided in the RFP. The City reserves the right to rule as non-responsive and reject any bids that are not accompanied with the required documentation as described above.



Signature

Richard Schultz, President (Sole Officer)

Printed Name and Title

4/11/22

Date

R.E. Schultz Construction, Inc.

Name of Proposer

ADDENDUM No. 1

Covering

CHANGE IN SPECIFICATIONS AND/OR PLANS

Date Issued: March 21, 2022

Date Effective: March 21, 2022

IFB No. City Project 2163101280-2 Garden Grove Park Improvements-Phase Two Project

INTENT

1. This addendum is issued prior to receipt of bids to provide for modifications in plans and/or specifications. Acknowledgment of this addendum shall be made and cost for work included in proposer's submittal.
2. The following questions were asked regarding the project named above. The City's responses can be found in the bold and italicized font.
 1. Is there an Engineer's Estimated Value for the project? ***An Engineer's Estimated Value cost for this project is not available.***
 2. Is the project subject to a PLA (Project Labor Agreement), a PSA (Project Stabilization Agreement), a CBA (Collective Bargaining Agreement), a CWA (Community Workforce Agreement), or anything of that nature? ***This project is not subject to these type of agreements.***
 3. What is the process for submitting "alternatives" or "proposed equals" for the City's review? ***The Bidder shall note in his submittal any and all "alternatives" or "proposed equals" that it proposes to use in lieu of any named or designated material, product or thing that is named in the specifications and followed by the words "or equal." In the event there are "alternatives" or "proposed equals", the bidder shall specifically itemize them in his bid under a heading entitled "Proposed Equals". Failure to do so shall render the bidder's bid non-responsive. In addition, if any "alternatives" or "proposed equals" are proposed by the bidder, the bidder must submit a request for substitution of proposed equal to the City within ten (10) working days of the bid closing date. This request shall include any and all appropriate data substantiating that the proposed item is "equal" to the item listed in the specifications. Failure to submit said request within the required timeframe shall be cause for its immediate rejection by the City. The City shall review the bidder's submission and shall render a decision no later than five (5) business days before the bid closing date. The bidder shall be notified in writing of the City's decision. The City reserves***

the right to reject any and all bids that do not meet the bid requirements and/or those bids submitted with "alternatives" or "proposed equals" that have not been previously approved by the City. The final decision as to whether or not any "alternatives" or "proposed equals" will be accepted shall be at the the City's sole discretion. All requests for substitution or proposed equals shall be submitted via email to janetp@ggcity.org.

The contractor is hereby notified that Addendum 1 must be acknowledged and submitted as part of the bid. Failure to do so, could result in the City designating said bid as "Non Responsive". All other terms and conditions of the BID shall remain the same.

Issued by: Sandra Segawa
Sandra Segawa, C.P.M., CPPB
Purchasing Division Manager
City of Garden Grove

ADDENDUM No. 2

Covering

CHANGE IN SPECIFICATIONS AND/OR PLANS

Date Issued: March 24, 2022

Date Effective: March 24, 2022

IFB No. City Project 2163101280-2 Garden Grove Park Improvements-Phase
Two Project

INTENT

1. This addendum is issued prior to receipt of bids to provide for modifications in plans and/or specifications. Acknowledgment of this addendum shall be made and cost for work included in proposer's submittal.
2. The following questions were asked regarding the project named above.

Q: How many light poles and benches are part of the project?

A: 4 benches and 4 light pole fixtures

Q: Do you have the engineer estimated cost?

A: The City does not have an estimated cost. This question was already answered in Addendum No. 1. All bidders are responsible for checking the City's Planet Bids portal for addenda that are posted.

Q: What is the anticipated award and start date?

A: Bids will be opened on April 11, 2022 and will go through the lowest/responsible bidder process. It is anticipated that the City will award the contract and have the contractor on board by early May, 2022. The City is expecting to receive playground equipment in May, 2022.

Q: Where are the bids to be submitted?

A: This information is in the bid package, bidders can either mail or drop off in person at the Annex Building adjacent to City Hall. If bids are hand deliver, a confirmation receipt can be issued.

Q: Is Planet Bids also an option for submitting bids?

A: No. Registration would need to go through Planet Bids but the bid package itself must be mailed or dropped off in person to the address noted in the bid document.

Q: If already registered on Planet Bids as a plan holder, does one get automatic notifications for things such as addendums?

A: All bidders who are registered on the City's PlanetBids portal will receive emails when an addendum has been posted. Please make sure that these emails are not going to a spam file. The City is not responsible for emails that go to spam files. Once registered on the City's Planet Bids portal, bidders

must log into the bid and open the bid document to be moved into "Prospective Bidder" status. If these steps are not followed, information will not be emailed. Please keep in mind that it is the responsibility of all bidders to check the City's PlanetBids portal for addenda and all updates.

Q: I have not seen any addendums.

A: Please see the response to the previous question.

Q: Is shade canopy part of the project?

A: Yes, it is part of the playground equipment.

Q: What was on the addendum?

A: A couple of items were answered: 1) Engineer's estimated cost; 2) Identified process if company wants to be considered an equal for playground surface; and 3) If there were other type of agreements that are part of this project. Please email any additional questions to janetp@ggcity.org by the specified deadline.

Q: Can you provide a list of contractors that attended this mandatory job walk?

A: The mandatory sign in sheet has been posted on the City's PlanetBids portal for this bid. The document can be found under the "Documents" tab.

3. The following items apply to the Scope of Work and must be taken into consideration by all bidders:

Project Manager informed proposed bidders that the selected contractor will be working with the playground company for any specific questions regarding installation of the units. Irrigation work will be handled in-house by City staff. The old playground equipment will be removed by City staff.

Proposed bidders should include cost for the storage of the playground equipment, under line item Storing & Installing Playground. Additionally, the selected Contractor will be responsible to receive, verify and store the playground equipment prior to installation. The storage can be done at the project site in an approved location by the City, but any container units used will be an expense covered by the Contractor. Contractor will be responsible to secure all equipment and work completed at job site, especially when the playground surface is poured.

The contractor is hereby notified that Addenda 1 and 2 must be acknowledged and submitted as part of the bid. Failure to do so, could result in the City designating said bid as "Non Responsive". All other terms and conditions of the BID shall remain the same.

Issued by: *Sandra Segawa*

Sandra Segawa, C.P.M., CPPB
Purchasing Division Manager
City of Garden Grove

ADDENDUM No. 3

Covering

CHANGE IN SPECIFICATIONS AND/OR PLANS

Date Issued: March 31, 2022

Date Effective: March 31, 2022

IFB No. City Project 2163101280-2 Garden Grove Park Improvements – Phase 2

INTENT

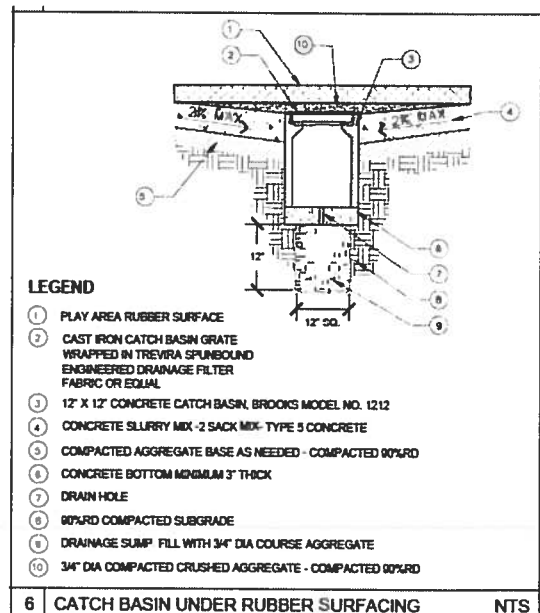
1. This addendum is issued prior to receipt of bids to provide for modifications in plans and/or specifications. Acknowledgment of this addendum shall be made and cost for work included in proposer's submittal.
2. The following questions were asked regarding the project and the questions and answers are as follows:

Question#1:

Keynote 8 on sheet L-1 is calling out "Catch Basin Under Surfacing". However on the layout, there was no Keynote 8 indicated. We need the location/s and quantity of these catch basins. Also, there is no bid item allocated for these catch basin unless you want this cost included on bid item 7 - Resilient Play Surfacing. Please clarify.

CONSTRUCTION LEGEND

- ① 4" THICK CONCRETE PAVING
FINISH: MEDIUM BROOM
COLOR: NATURAL GRAY
REFER TO DETAIL '1', SHEET L-2
- ② RUBBER SURFACING
REFER TO DETAIL '5', SHEET L-2
NOTE: WEAR COURSE TO BE 100% COLOR.
- ③ PATHWAY LIGHTS - REFER TO ELECTRICAL SHEETS
- ④ ANGLED BENCH W/ BACK MODEL #424
COLOR: TIERRA
TEXTURE: SMOOTH
AVAILABLE FROM OUTDOOR CREATIONS,
(530) 338-8367 OR AN APPROVED EQUAL
REFER TO DETAIL '1', SHEET L-3
- ⑤ CONCRETE PLAY AREA CURB
REFER TO DETAIL '7', SHEET L-2
- ⑥ 2-5 YEAR PLAYGROUND
PLAY EQUIPMENT TO BE SELECTED BY
CONTRACTOR PER SPECIFICATIONS
- ⑦ 5-12 YEAR PLAYGROUND
PLAY EQUIPMENT TO BE SELECTED BY
CONTRACTOR PER SPECIFICATIONS
- ⑧ CATCH BASIN UNDER SURFACING
REFER TO DETAIL '6', SHEET L-2
- ⑨ PIP SURFACING LANDING PATTERN -
REFER TO DETAIL '2', SHEET L-3



Answer#1:

There is to be one Catch Basin for each playground sub-area (generally centered within each space); so a total of two catch basins. The costs for the development of the catch basins is to be inclusive in the bid amount for Bid Item #7: Resilient Play Surfacing & Slurry Base.

Question#2:

Please provide the actual color blend(s) for the playground safety surfacing Design – L-1 just states 100% Color.

Answer#2:

Play Surfacing colors shall be standard colors, to include:

White/Crème/Eggshell
Light Grey
Standard Green

Note: The following surfacing manufacturers have been approved as an Equal for this project:

Spectra Turf;

No Fault Safety Surfacing (NFSS);

Tot Turf by Robertson Recreational Surfaces;

Gotham Poured Rubber

3. Per Page 6 of the bid document, **the bid opening will be teleconferenced; teleconferencing information will be made available at least 7 days ahead of the bid opening date.**

The following is the teleconferencing information for the bid opening that will take place at **11:00 AM, local time, on Monday, April 11, 2022.**

Topic: Garden Grove Park Improvements-Phase 2 City Project No. 2163101280-2
Time: Apr 11, 2022 11:00 AM Pacific Time (US and Canada)

Join Zoom Meeting

<https://ggcity->

org.zoom.us/j/83250572655?pwd=Z2JaMldOSG8rVksrL2dMVXR2dTIqUT09

Meeting ID: 832 5057 2655

Passcode: 862327

One tap mobile

+16699006833, 83250572655# US (San Jose)

+13462487799, 83250572655# US (Houston)

Dial by your location

- +1 669 900 6833 US (San Jose)
- +1 346 248 7799 US (Houston)
- +1 253 215 8782 US (Tacoma)
- +1 301 715 8592 US (Washington DC)
- +1 312 626 6799 US (Chicago)
- +1 929 205 6099 US (New York)

Meeting ID: 832 5057 2655

Find your local number: <https://ggcity-org.zoom.us/j/keHkvLHxtd>

Join by SIP

83250572655@zoomcrc.com

Join by H.323

- 162.255.37.11 (US West)
 - 162.255.36.11 (US East)
 - 115.114.131.7 (India Mumbai)
 - 115.114.115.7 (India Hyderabad)
 - 213.19.144.110 (Amsterdam Netherlands)
 - 213.244.140.110 (Germany)
 - 103.122.166.55 (Australia Sydney)
 - 103.122.167.55 (Australia Melbourne)
 - 149.137.40.110 (Singapore)
 - 64.211.144.160 (Brazil)
 - 149.137.68.253 (Mexico)
 - 69.174.57.160 (Canada Toronto)
 - 65.39.152.160 (Canada Vancouver)
 - 207.226.132.110 (Japan Tokyo)
 - 149.137.24.110 (Japan Osaka)
- Meeting ID: 832 5057 2655
Passcode: 862327

The contractor is hereby notified that Addenda 1, 2 and 3 must be acknowledged and submitted as part of the bid. Failure to do so, could result in the City designating said bid as "Non Responsive". All other terms and conditions of the BID shall remain the same.

Issued by: *Sandra Segawa*
Sandra Segawa, C.P.M., CPPB
Purchasing Division Manager
City of Garden Grove

ADDENDUM No. 4

Covering

CHANGE IN SPECIFICATIONS AND/OR PLANS

Date Issued: April 5, 2022

Date Effective: April 5, 2022

IFB No. City Project 2163101280-2 Garden Grove Park Improvements –
Phase 2

INTENT

1. This addendum is issued prior to receipt of bids to provide for modifications in plans and/or specifications. Acknowledgment of this addendum shall be made and cost for work included in proposer's submittal.
2. The following question was asked regarding the project and the question and answer is as follows:

Question: What is the fall height for 2-5 playground structure and fall Height for 5-12 playground structure? Innovative Playgrounds Company, the playground manufacturer, has provided the following response for this question:

The CFH for the 5-12 year old playground area is 12 feet and the CFH for the 2-5 playground area is 6 feet.

The contractor is hereby notified that Addenda 1, 2, 3 and 4 must be acknowledged and submitted as part of the bid. Failure to do so, could result in the City designating said bid as "Non Responsive". All other terms and conditions of the BID shall remain the same.

Issued by: *Sandra Segawa*
Sandra Segawa, C.P.M., CPPB
Purchasing Division Manager
City of Garden Grove

noto

3779421

**Certificate of Amendment
Of Articles of Incorporation**

FILED *DAM*
Secretary of State
State of California

JAN 07 2016 *RP*

The undersigned certify that:

1. They are the President and the Secretary, respectively, of RES ENTERPRISES, INC., a California corporation.
2. Article 1 of the Articles of Incorporation of this corporation is amended to read as follows:

The name of the corporation is: R.E. Schultz Construction, Inc.

3. The foregoing amendment of Articles of Incorporation has been duly approved by the board of directors.
4. The corporation has issued no shares.

We further declare under penalty of perjury under the laws of the State of California that the matters set forth in this certificate are true and correct of our own knowledge.

DATE: Jan 5, 2016

[Signature]
Richard Schultz, President

[Signature]
Richard Schultz, Secretary


Senders Contact Information:


Richard Schultz
2914 E. Katella Ave #102
Orange CA 92867
714-649-2627

Entity #C3779421



I hereby certify that the foregoing
transcript of 1 page(s)
is a full, true and correct copy of the
original record in the custody of the
California Secretary of State's office.

Date: JAN 19 2016 


ALEX PADILLA, Secretary of State

National Recreation and Park Association

Let it be known that

RICHARD SCHULTZ

has met the requirements of the standards set forth by the
National Certification Board
and is hereby granted certification as a



**Certified
Playground
Safety Inspector**



CHAIRPERSON

April 19, 2021

DATE CERTIFIED



NRPA PRESIDENT AND CEO

51153-0524

CERTIFICATION NUMBER

May 01, 2024

EXPIRATION DATE

CERTIFICATE OF ACHIEVEMENT

Awarded to:

Rick Schultz

Has completed the

RECREATION INSTALLATION SPECIALIST CERTIFICATION COURSE

This certificate of achievement is valid for the above individual who has successfully passed the required training as set by the National Playground Contractors Association, Inc.



2022-1272

Certificate Number

12/31/2024

Expiration Date

A handwritten signature in black ink, appearing to read "Edward Miller, Jr.", is written over a horizontal line.

Edward Miller, Jr., NPCAI Chairman

12/31/2021

Issue Date

Home



CONTRACTORS STATE LICENSE BOARD



Contractor's License Detail for License # 1007195

DISCLAIMER: A license status check provides information taken from the CSLB license database. Before relying on this information, you should be aware of the following limitations.

- ▶ CSLB complaint disclosure is restricted by law (B&P 7124.6) If this entity is subject to public complaint disclosure click on link that will appear below for more information. Click here for a definition of disclosable actions.
- ▶ Only construction related civil judgments reported to CSLB are disclosed (B&P 7071.17).
- ▶ Arbitrations are not listed unless the contractor fails to comply with the terms.
- ▶ Due to workload, there may be relevant information that has not yet been entered into the board's license database.

Data current as of 4/11/2022 9:01:22 AM

Business Information

R E SCHULTZ CONSTRUCTION INC
1767 N BATAVIA ST
ORANGE, CA 92865
Business Phone Number:(714) 649-2627

Entity Corporation
Issue Date 09/10/2015
Expire Date 09/30/2023

License Status

This license is current and active.

All information below should be reviewed.

Classifications

- ▶ A - GENERAL ENGINEERING
- ▶ C-61 / D34 - PREFABRICATED EQUIPMENT
- ▶ B - GENERAL BUILDING

Bonding Information

Contractor's Bond

This license filed a Contractor's Bond with AMERICAN CONTRACTORS INDEMNITY COMPANY.

Bond Number: 100320462

Bond Amount: \$15,000

Effective Date: 08/08/2016

Contractor's Bond History

Bond of Qualifying Individual

- ▶ This license filed Bond of Qualifying Individual number **100429683** for CHRIS LEE THOMAS in the amount of **\$12,500** with AMERICAN CONTRACTORS INDEMNITY COMPANY.

Effective Date: 02/26/2019

- ▶ The qualifying individual RICHARD EARL SCHULTZ certified that he/she owns 10 percent or more of the voting stock/membership interest of this company; therefore, the Bond of Qualifying Individual is not required.

Effective Date: 06/24/2016

BQI's Bond History

Workers' Compensation

This license has workers compensation insurance with the STATE COMPENSATION INSURANCE FUND

Policy Number: 9274424

Effective Date: 04/14/2020

Expire Date: 04/14/2022

Workers' Compensation History

Contractor Information

Legal Entity Name
R.E. SCHULTZ CONSTRUCTION, INC

Legal Entity Type
Corporation

Status
Active

Registration Number
1000033385

Registration effective date
7/1/2021

Registration expiration date
6/30/2022

Mailing Address
1767 N. BATAVIA ST. ORANGE 92865 CA United States of America

Physical Address
1767 N. BATAVIA ST. ORANGE 92865 CA United States of America

Email Address

Trade Name/DBA
R.E. SCHULTZ CONSTRUCTION, INC

License Number(s)
CSLB:1007195
CSLB:755160

Registration History

Effective Date	Expiration Date
5/25/2018	6/30/2019
5/17/2017	6/30/2018
5/3/2016	6/30/2017
12/29/2015	6/30/2016
7/1/2019	6/30/2021
7/1/2021	6/30/2022

Legal Entity Information

Corporation Number:

32-0465469

Federal Employment Identification Number:

President Name:

RICHARD SCHULTZ

Vice President Name:

Treasurer Name:

Secretary Name:

CEO Name:

Agent of Service Name:

RICHARD SCHULTZ

Agent of Service Mailing Address:

1767 N Batavia St Orange 92865 CA United States of America

Workers Compensation

Do you lease employees through No

Professional Employer

Organization (PEO)?:

Please provide your current

workers compensation insurance

information below:

PEO PEO PEO

PEO InformationName Phone Email

Insured by Carrier

Policy Holder Name:R E SCHULTZ CONSTRUCTION, INC.**Insurance Carrier:**State Compensation Insurance Fund

Policy Number:9274424**Inception date:**4/14/2021**Expiration Date:**4/14/2022

▶ Personnel listed on this license (current or disassociated) are listed on other licenses.

[Back to Top](#) [Conditions of Use](#) [Privacy Policy](#) [Accessibility](#) [Accessibility Certification](#)

Copyright © 2022 State of California

Home



CONTRACTORS STATE LICENSE BOARD



Contractor's License Detail for License # 667261

DISCLAIMER: A license status check provides information taken from the CSLB license database. Before relying on this information, you should be aware of the following limitations.

- ▶ CSLB complaint disclosure is restricted by law (B&P 7124.6) If this entity is subject to public complaint disclosure click on link that will appear below for more information. [Click here](#) for a definition of disclosable actions
- ▶ Only construction related civil judgments reported to CSLB are disclosed (B&P 7071.17)
- ▶ Arbitrations are not listed unless the contractor fails to comply with the terms.
- ▶ Due to workload, there may be relevant information that has not yet been entered into the board's license database.

Data current as of 4/11/2022 9:00:28 AM

Business Information

ROBERTSON INDUSTRIES INC
2414 W 12TH ST SUITE 5
TEMPE, AZ 85281
Business Phone Number:(602) 707-6894

Entity Corporation
Issue Date 03/17/1993
Expire Date 03/31/2023

License Status

This license is current and active.

All information below should be reviewed.

Classifications

C-61 / D12 - SYNTHETIC PRODUCTS

Bonding Information

Contractor's Bond

This license filed a Contractor's Bond with TRAVELERS CASUALTY AND SURETY COMPANY OF AMERICA.

Bond Number: 105209757

Bond Amount: \$15,000

Effective Date: 01/01/2016

[Contractor's Bond History](#)

Bond of Qualifying Individual

This license filed Bond of Qualifying Individual number 106005924 for PHILLIP MANZANAREZ in the amount of \$12,500 with TRAVELERS CASUALTY AND SURETY COMPANY OF AMERICA.

Effective Date: 11/04/2013

Workers' Compensation

This license has workers compensation insurance with the ACE AMERICAN INSURANCE COMPANY

Policy Number: WLR67821956

Effective Date: 08/01/2021

Expire Date: 08/01/2022

[Workers' Compensation History](#)

Other

- ▶ Personnel listed on this license (current or disassociated) are listed on other licenses.

Contractor Information

Legal Entity Name
ROBERTSON INDUSTRIES, INC.
Legal Entity Type
Corporation
Status
Active
Registration Number
1000002700
Registration effective date
7/1/2021
Registration expiration date
6/30/2022
Mailing Address
2414 W 12TH ST, # 5 TEMPE 85281 AZ United States of America
Physical Address
2414 W 12TH ST, # 5 TEMPE 85281 AZ United States of America
Email Address
Trade Name/DBA
License Number(s)
CSLB:667261
CSLB:667261

Registration History

Effective Date	Expiration Date
5/3/2018	6/30/2019
5/8/2017	6/30/2018
5/26/2016	6/30/2017
6/1/2015	6/30/2016
11/12/2014	6/30/2015
7/1/2019	6/30/2020
7/1/2020	6/30/2021
7/1/2021	6/30/2022

Legal Entity Information

Corporation Number:
Federal Employment Identification Number:
President Name: RICHARD HAWLEY
Vice President Name: TOM WHITTIER
Treasurer Name:
Secretary Name:
CEO Name:
Agent of Service Name: C T CORPORATION SYSTEM
Agent of Service Mailing Address: 818 SEVENTH ST STE 930 LOS ANGELES 90017 CA United States of America

Workers Compensation

Do you lease employees through No

Professional Employer

Organization (PEO)?:

Please provide your current

workers compensation insurance

information below:

PEO	PEO	PEO
PEO InformationName	Phone	Email

Insured by Carrier

Policy Holder Name: ROBERTSON INDUSTRIES, INC. **Insurance Carrier:**

TRAVELERS PROPERTY CASUALTY COMPANY OF AMERICA **Policy Number:** 9D900314 **Inception date:** 8/1/2020

Expiration Date: 8/1/2021

SECTION 4 – AFFIDAVIT TO ACCOMPANY PROPOSAL (Continued)

CERTIFICATION WITH REGARD TO THE PERFORMANCE OF PREVIOUS CONTRACTS OR SUBCONTRACTS SUBJECT TO THE EQUAL EMPLOYMENT OPPORTUNITY CLAUSE AND THE FILING OF REQUIRED REPORTS

The bidder _____, proposed subcontractor , hereby certifies that he has , has not _____, participated in a previous contract or subcontract subject to the equal opportunity clause, as required by Executive Orders 10925, 11114, or 11246, and that he has , has not _____, filed with the Joint Reporting Committee, the Director of the Office of Federal Contract Compliance, a Federal Government contracting or administrating agency, or the former President's Committee on Equal Employment Opportunity, all reports due under the applicable filing requirements.

By: Rhonda Howley
VP of Sales
(Title)

Date: 4-11-2022

Note: The above certification is required by the Equal Employment Opportunity Regulations of the Secretary of Labor (41 CFR 60-1.7 (b) (1)), and must be submitted by bidders and proposed subcontractors only in connection with contracts and subcontracts, which are subject to the equal opportunity clause. Contracts and subcontracts which are exempt from the equal opportunity clause are set forth in 41 CFR 60-1.5. (Generally, only contracts or subcontracts of \$10,000 or under are exempt.)

Currently, Standard Form 100 (EEO-1) is the only report required by the Executive Orders or their implementing regulations.

Proposed prime contractors and subcontractors who have participated in a previous contract or subcontract subject to the Executive Orders and have not filed the required reports should note that 41 CFR 60-1.7 (b) (1) prevents the award of contracts and subcontracts unless such contractor submits a report covering the delinquent period or such other period specified by the Federal Highway Administration or by the Director, Office of Federal Contract Compliance, U.S. Department of Labor.

(THE BIDDER'S EXECUTION ON THE SIGNATURE PORTION OF THIS PROPOSAL SHALL ALSO CONSTITUTE AN ENDORSEMENT AND EXECUTION OF THOSE CERTIFICATIONS WHICH ARE A PART OF THIS PROPOSAL)

EQUAL EMPLOYMENT OPPORTUNITY CERTIFICATION

The bidder _____

[proposed subcontractor,] Robertson Industries, Inc. hereby certifies that he/she/it has, has not, participated in a previous contract or subcontract subject to the Equal Opportunity clauses, as required by Executive Orders 10925, 11114, or 11246, and that, where required, he/she/it has filed with the Joint

Reporting Committee, the Director of the Office of Federal Contract Compliance, a Federal Government contracting or administering agency, or the former President's Committee on Equal Employment Opportunity, all reports due under the applicable filing requirements.

Note: The above certification is required by the Equal Employment Opportunity Regulations of the Secretary of Labor (41 CFR 60-1.7(b) (1)), and must be submitted by bidders and proposed subcontractors only in connection with contracts and subcontracts which are subject to the equal opportunity clause. Contracts and subcontracts which are exempt from the equal opportunity clause are set forth in 41 CFR 60-1.5. (Generally only contracts or subcontracts of \$ 10,000 or under are exempt.)

Currently, Standard Form 100 (EEO-I) is the only report required by the Executive Orders or their implementing regulations. (eeoc.gov/employers/eeoi/survey/index.cfm)

Proposed prime contractors and subcontractors who have participated in a previous contract or subcontract subject to the Executive Orders and have not filed the required reports should note that 41 CFR 60-1.7(b) (1) prevents the award of contracts and subcontracts unless such contractor submits a report covering the delinquent period or such other period specified by the Federal Highway Administration or by the Director, Office of Federal Contract Compliance, U.S. Department of Labor.

Signature: _____

Date: _____

Print Name: _____

Title: _____

Equal Employment Opportunity Clause

During the performance of this contract, the Contractor agrees as follows:

- (a) The Contractor shall not discriminate against any employee or applicant for employment because of race, color, religion, sex, national origin, or handicap.
- (b) The Contractor shall take affirmative action to ensure that applicants are employed, and that employees are treated during employment without regard to their race, color, religion, sex, national origin, or handicap. Such action shall include, but not be limited to, (1) employment, (2) upgrading, (3) demotion, (4) transfer, (5) recruitment or recruitment advertising, (6) layoff or termination, (7) rates of pay or other forms of compensation, and (8) selection for training, including apprenticeship.
- (c) The Contractor shall post in conspicuous places available to employees and applicants for employment the notices to be provided by the Contracting Officer that explain this clause.
- (d) The Contractor shall, in all solicitations or advertisements for employees placed by or on behalf of the Contractor, state that all qualified applicants will receive consideration for employment without regard to race, color, religion, sex, national origin, or handicap.
- (e) The Contractor shall send, to each labor union or representative of workers with which it has a collective bargaining agreement or other contract or understanding, the notice to be provided by the Contracting Officer advising the labor union or workers' representative of the Contractor's commitments under this clause, and post copies of the notice in conspicuous places available to employees and applicants for employment.
- (f) The Contractor shall comply with Executive Order 11246, as amended, and the rules, regulations, and orders of the Secretary of Labor.
- (g) The Contractor shall furnish all information and reports required by Executive Order 11246, as amended, Section 503 of the Rehabilitation Act of 1973, as amended, and by rules, regulations, and orders of the Secretary of Labor, or pursuant thereto. The Contractor shall permit access to its books, records, and accounts by the Secretary of Labor for purposes of investigation to ascertain compliance with such rules, regulations, and orders.
- (h) In the event of a determination that the Contractor is not in compliance with this clause or any rule, regulation, or order of the Secretary of Labor, this contract may be canceled, terminated, or suspended in whole or in part, and the Contractor may be declared ineligible for further Government contracts, or Federally assisted construction contracts under the procedures authorized in Executive Order 11246, as amended. In addition, sanctions may be imposed and remedies invoked against the Contractor as provided in Executive Order 11246, as amended, the rules, regulations, and orders of the Secretary of Labor, or as otherwise provided by law.
- (i) The Contractor shall include the terms and conditions of this clause in every subcontract or purchase order unless exempted by the rules, regulations, or orders of the Secretary of Labor issued under Executive Order 11246, as amended, so that these terms and conditions will be binding upon each subcontractor or vendor. The Contractor shall take such action with respect to any subcontract or purchase order as the Secretary of Housing and Urban Development or the Secretary of Labor may direct as a means of enforcing such provisions, including sanctions for noncompliance; provided that if the Contractor becomes involved in, or is threatened with, litigation with a subcontractor or vendor as a result of such direction, the Contractor may request the United States to enter into the litigation to protect the interests of the United States.
- (j) Compliance with the requirements of this clause shall be to the maximum extent consistent with, but not in derogation of, compliance with section 7(b) of the Indian Self-Determination and Education Assistance Act and the Indian Preference clause of this contract.

▼ Contractor's License Detail for License # 822450

DISCLAIMER: A license status check provides information taken from the CSLB license database. Before relying on this information, you should be aware of the following limitations.

- ▶ CSLB complaint disclosure is restricted by law (B&P 7124.6) If this entity is subject to public complaint disclosure click on link that will appear below for more information. [Click here for a definition of disclosable actions.](#)
- ▶ Only construction related civil judgments reported to CSLB are disclosed (B&P 7071.17).
- ▶ Arbitrations are not listed unless the contractor fails to comply with the terms.
- ▶ Due to workload, there may be relevant information that has not yet been entered into the board's license database.

Data current as of 4/11/2022 9:31:46 AM

Business Information

M S L ELECTRIC INC
2918 E LA JOLLA ST
ANAHEIM, CA 92806
Business Phone Number: (714) 693-4837

Entity Corporation
Issue Date 08/05/2003
Expire Date 08/31/2023

License Status

This license is current and active.

All information below should be reviewed.

Classifications

- ▶ C10 - ELECTRICAL
- ▶ B - GENERAL BUILDING

Bonding Information

Contractor's Bond

This license filed a Contractor's Bond with WASHINGTON INTERNATIONAL INSURANCE COMPANY.

Bond Number: S9015064
Bond Amount: \$15,000
Effective Date: 01/01/2016

[Contractor's Bond History](#)

Bond of Qualifying Individual

- ▶ The qualifying individual WARREN LEE MOORE certified that he/she owns 10 percent or more of the voting stock/membership interest of this company; therefore, the Bond of Qualifying Individual is not required.

Effective Date: 03/09/2022

[BQI's Bond History](#)

- ▶ This license filed Bond of Qualifying Individual number **2329852** for MICHAEL JOSEPH SCHMITT in the amount of **\$12,500** with NORTH AMERICAN SPECIALTY INSURANCE COMPANY.

Effective Date: 02/03/2022

Workers' Compensation

This license has workers compensation insurance with the TRAVELERS PROPERTY CASUALTY COMPANY OF AMERICA

Policy Number: UB6K8942022226G

Effective Date: 04/01/2022

Expire Date: 04/01/2023

[Workers' Compensation History](#)

Other

▶ Personnel listed on this license (current or disassociated) are listed on other licenses.

[Back to Top](#)

[Conditions of Use](#)

[Privacy Policy](#)

[Accessibility](#)

[Accessibility Certification](#)

Copyright © 2022 State of California

Contractor Information

Legal Entity Name
MSL ELECTRIC, INC.
Legal Entity Type
Corporation
Status
Active
Registration Number
100000550
Registration effective date
7/1/2021
Registration expiration date
6/30/2023
Mailing Address
2918 E. LA JOLLA ST. ANAHEIM 92806 CA United States of America
Physical Address
2918 E. LA JOLLA ST. ANAHEIM 92806 CA United States of America
Email Address
Trade Name/DBA
MSL ELECTRIC, INC.
License Number(s)
CSLB:822450
CSLB:822450

Registration History

Effective Date	Expiration Date
5/31/2018	6/30/2019
5/18/2017	6/30/2018
6/8/2016	6/30/2017
7/6/2015	6/30/2016
7/22/2014	6/30/2015
7/1/2019	6/30/2020
7/1/2020	6/30/2021
7/1/2021	6/30/2023

Legal Entity Information

Corporation Number:

2398559

Federal Employment Identification Number:

President Name:

WARREN MOORE

Vice President Name:

SALLY MOORE

Treasurer Name:

WARREN MOORE

Secretary Name:

SALLY MOORE

CEO Name:

Agent of Service Name:

WARREN MOORE

Agent of Service Mailing Address:

2918 E. La Jolla St. ANAHEIM 92806 CA United States of America

Workers Compensation

Do you lease employees through No

Professional Employer

Organization (PEO)?:

Please provide your current

workers compensation insurance

information below:

PEO	PEO	PEO
PEO InformationName	Phone	Email

Insured by Carrier


Policy Holder Name:MSL ELECTRIC, INC.**Insurance Carrier:**TRAVELERS PROPERTY CASUALTY COMPANY OF AMERICA

Policy Number:UB6K8942022126G**Inception date:**4/1/2021**Expiration Date:**4/1/2022

SECTION 4 – AFFIDAVIT TO ACCOMPANY PROPOSAL (Continued)

CERTIFICATION WITH REGARD TO THE PERFORMANCE OF PREVIOUS CONTRACTS OR SUBCONTRACTS SUBJECT TO THE EQUAL EMPLOYMENT OPPORTUNITY CLAUSE AND THE FILING OF REQUIRED REPORTS

The bidder _____, proposed subcontractor X, hereby certifies that he has X, has not _____, participated in a previous contract or subcontract subject to the equal opportunity clause, as required by Executive Orders 10925, 11114, or 11246, and that he has X, has not _____, filed with the Joint Reporting Committee, the Director of the Office of Federal Contract Compliance, a Federal Government contracting or administrating agency, or the former President's Committee on Equal Employment Opportunity, all reports due under the applicable filing requirements.

By: 
OPERATIONS MANAGER
(Title)

Date: 04/11/22

Note: The above certification is required by the Equal Employment Opportunity Regulations of the Secretary of Labor (41 CFR 60-1.7 (b) (1)), and must be submitted by bidders and proposed subcontractors only in connection with contracts and subcontracts, which are subject to the equal opportunity clause. Contracts and subcontracts which are exempt from the equal opportunity clause are set forth in 41 CFR 60-1.5. (Generally, only contracts or subcontracts of \$10,000 or under are exempt.)

Currently, Standard Form 100 (EEO-1) is the only report required by the Executive Orders or their implementing regulations.

Proposed prime contractors and subcontractors who have participated in a previous contract or subcontract subject to the Executive Orders and have not filed the required reports should note that 41 CFR 60-1.7 (b) (1) prevents the award of contracts and subcontracts unless such contractor submits a report covering the delinquent period or such other period specified by the Federal Highway Administration or by the Director, Office of Federal Contract Compliance, U.S. Department of Labor.

(THE BIDDER'S EXECUTION ON THE SIGNATURE PORTION OF THIS PROPOSAL SHALL ALSO CONSTITUTE AN ENDORSEMENT AND EXECUTION OF THOSE CERTIFICATIONS WHICH ARE A PART OF THIS PROPOSAL)

EQUAL EMPLOYMENT OPPORTUNITY CERTIFICATION

The bidder MSL ELECTRIC, INC

[proposed subcontractor] _____ hereby certifies that he/she/it has, has not, participated in a previous contract or subcontract subject to the Equal Opportunity clauses, as required by Executive Orders 10925, 1 1114, or 11246, and that, where required, he/she/it has filed with the Joint

Reporting Committee, the Director of the Office of Federal Contract Compliance, a Federal Government contracting or administering agency, or the former President's Committee on Equal Employment Opportunity, all reports due under the applicable filing requirements.

Note: The above certification is required by the Equal Employment Opportunity Regulations of the Secretary of Labor (41 CFR 60-1.7(b) (1)), and must be submitted by bidders and proposed subcontractors only in connection with contracts and subcontracts which are subject to the equal opportunity clause. Contracts and subcontracts which are exempt from the equal opportunity clause are set forth in 41 CFR 60-1.5. (Generally only contracts or subcontracts of \$ 10,000 or under are exempt.)

Currently, Standard Form 100 (EEO-I) is the only report required by the Executive Orders or their implementing regulations. (eoc.gov/employers/eol survey/index.cfm)

Proposed prime contractors and subcontractors who have participated in a previous contract or subcontract subject to the Executive Orders and have not filed the required reports should note that 41 CFR 60-1.7(b) (1) prevents the award of contracts and subcontracts unless such contractor submits a report covering the delinquent period or such other period specified by the Federal Highway Administration or by the Director, Office of Federal Contract Compliance, U.S. Department of Labor.

Signature:  Date: 04/11/22

Print Name: JAMES A. VARNES

Title: OPERATIONS MANAGER

Equal Employment Opportunity Clause

During the performance of this contract, the Contractor agrees as follows:

- (a) The Contractor shall not discriminate against any employee or applicant for employment because of race, color, religion, sex, national origin, or handicap.
- (b) The Contractor shall take affirmative action to ensure that applicants are employed, and that employees are treated during employment without regard to their race, color, religion, sex, national origin, or handicap. Such action shall include, but not be limited to, (1) employment, (2) upgrading, (3) demotion, (4) transfer, (5) recruitment or recruitment advertising, (6) layoff or termination, (7) rates of pay or other forms of compensation, and (8) selection for training, including apprenticeship.
- (c) The Contractor shall post in conspicuous places available to employees and applicants for employment the notices to be provided by the Contracting Officer that explain this clause.
- (d) The Contractor shall, in all solicitations or advertisements for employees placed by or on behalf of the Contractor, state that all qualified applicants will receive consideration for employment without regard to race, color, religion, sex, national origin, or handicap.
- (e) The Contractor shall send, to each labor union or representative of workers with which it has a collective bargaining agreement or other contract or understanding, the notice to be provided by the Contracting Officer advising the labor union or workers' representative of the Contractor's commitments under this clause, and post copies of the notice in conspicuous places available to employees and applicants for employment.
- (f) The Contractor shall comply with Executive Order 11246, as amended, and the rules, regulations, and orders of the Secretary of Labor.
- (g) The Contractor shall furnish all information and reports required by Executive Order 11246, as amended, Section 503 of the Rehabilitation Act of 1973, as amended, and by rules, regulations, and orders of the Secretary of Labor, or pursuant thereto. The Contractor shall permit access to its books, records, and accounts by the Secretary of Labor for purposes of investigation to ascertain compliance with such rules, regulations, and orders.
- (h) In the event of a determination that the Contractor is not in compliance with this clause or any rule, regulation, or order of the Secretary of Labor, this contract may be canceled, terminated, or suspended in whole or in part, and the Contractor may be declared ineligible for further Government contracts, or Federally assisted construction contracts under the procedures authorized in Executive Order 11246, as amended. In addition, sanctions may be imposed and remedies invoked against the Contractor as provided in Executive Order 11246, as amended, the rules, regulations, and orders of the Secretary of Labor, or as otherwise provided by law.
- (i) The Contractor shall include the terms and conditions of this clause in every subcontract or purchase order unless exempted by the rules, regulations, or orders of the Secretary of Labor issued under Executive Order 11246, as amended, so that these terms and conditions will be binding upon each subcontractor or vendor. The Contractor shall take such action with respect to any subcontract or purchase order as the Secretary of Housing and Urban Development or the Secretary of Labor may direct as a means of enforcing such provisions, including sanctions for noncompliance; provided that if the Contractor becomes involved in, or is threatened with, litigation with a subcontractor or vendor as a result of such direction, the Contractor may request the United States to enter into the litigation to protect the interests of the United States.
- (j) Compliance with the requirements of this clause shall be to the maximum extent consistent with, but not in derogation of, compliance with section 7(b) of the Indian Self-Determination and Education Assistance Act and the Indian Preference clause of this contract.