



**CITY OF GARDEN GROVE
BUILDING SERVICES**

11767 HARBOR BLVD

PERMIT#: 16-1464

ISSUED: 5/11/16

General Info : 714-741-5307

Inspection Requests : 855-380-8758

Applicant COAST SIGN INCORPORATED			Telephone (714) 520-9144	Zip 92802	Building Address 11767 HARBOR BLVD		
Address 1500 W EMBASSY ST		City ANAHEIM	State CA		Suite/Unit/Building		
State Licence 654238C45	Expires N/A	City Licence	Expires		TYPE Sign	ISSUED BY Aaron Hodson	
Contractor COAST SIGN INCORPORATED			Telephone (714) 520-9144	Zip 92802	Inspector Dist. R8	Parcel Number 23318202	LOT TRACT
Address 1500 W EMBASSY ST		City ANAHEIM	State CA		Valuation \$12,500.00		
State Licence 654238C45	Expires N/A	City Licence	Expires		Final Inspector's Signature <i>[Signature]</i> Date <i>5-29-16</i>		
Floor Area(sq. ft.)	Residential/Commercial Commercial						
Job Description INSTALL (1) ILLUMINATED DUAL SIDED MONUMENT SIGN							
DECLARATION							
I certify that I have read this application/permit and state that the information on all pages of this document is correct. I agree to comply with all City and County ordinances and State laws relating to building construction, and hereby authorize representatives of this City and County to enter upon the above mentioned property for inspection purposes.							
X Applicant's Signature <i>[Signature]</i>							
Print Name MARK SACHZ	Date 5/11/16						
F E E S				Description	Quantity	Amount	
				One-Stop Permit Center Surcharge		\$4.76	
				Building Permit Document Retention Fee	1	\$5.00	
				Building Technology Fee	1	\$10.00	
				BSASRF State Fee		\$1.00	
				Signs: outline lighting and marquees	1	\$50.00	
				Issuance Fee	1	\$35.00	
				Building Permit Fee		\$237.75	
				Cultural Arts Fee, Valuation		\$8.25	
				General Plan Update Fee, Valuation		\$16.50	
TOTAL		\$368.26					

This is a building permit when properly filled out, signed and validated, and is subject to expiration if work thereunder is suspended for 180 days.

Permit Type: BLDG/ELEC

ORIGINAL



**CITY OF GARDEN GROVE
COMMUNITY DEVELOPMENT DEPARTMENT
BUILDING SERVICES DIVISION**

12
Illuminated Monuments
General Information: 714-741-5307
Inspection Requests: 855-380-8758

PERMIT

Permit No: 116-1464
Job Address: 11767 Harbor Blvd., GG

- Type of Permit: Building Electrical
 Mechanical Plumbing Grading
 Sign Pool/Spa Fire Suppression

Applicant: Coast Sign, Inc.
Address: 1500 W. Embassy St.
Anaheim CA 92802

Property Owner: Embassy Suites
Address: 11767 Harbor Blvd.
Garden Grove Phone: (714) 539-3300

Architect/Engineer in charge of the project:
Address: _____
License No. _____

Contractor: Coast Sign, Inc.
Address: 1500 W. Embassy Suites
Anaheim CA Phone: (714) 520-9144

LICENSED CONTRACTOR'S DECLARATION

I hereby affirm under penalty of perjury that I am licensed under provisions of Chapter 9 (commencing with Section 7000) of Division 3 of the Business and Professions Code, and my license is in full force and effect.

License Class 654238 License No. 654238
Date 3/31/2018 Contractor Signature _____

OWNER-BUILDER DECLARATION

I hereby affirm under penalty of perjury that I am exempt from the Contractor's State License Law for the reason(s) indicated below by the checkmark(s) I have placed next to the applicable item(s) (Section 7031.5, Business and Professions Code: Any city or county that requires a permit to construct, alter, improve, demolish, or repair any structure, prior to its issuance, also requires the applicant for the permit to file a signed statement that he or she is licensed pursuant to the provisions of the Contractors' State License Law [Chapter 9 commencing with Section 7000 of Division 3 of the Business and Professions Code] or that he or she is exempt from licensure and the basis for the alleged exemption. Any violation of Section 7031.5 by any applicant for a permit subjects the applicant to a civil penalty of not more than five hundred dollars [\$500]).

I, as owner of the property, or my employees with wages as their sole compensation, will do all of or portions of the work, and the structure is not intended or offered for sale (Section 7044, Business and Professions Code: The Contractors' State License Law does not apply to an owner of property who, through employees' or personal effort, builds or improves the property, provided that the improvements are not intended or offered for sale. If, however, the building or improvement is sold within one year of completion, the Owner-Builder will have the burden of proving that it was not built or improved for the purpose of sale).

I, as owner of the property, am exclusively contracting with licensed Contractors to construct the project (Section 7044, Business and Professions Code: The Contractors' State License Law does not apply to an owner of property who builds or improves thereon, and who contracts for the projects with a licensed Contractor pursuant to the Contractors' State License Law).

I am exempt from licensure under the Contractors' State License Law for the following reason: _____

By my signature below I acknowledge that, except for my personal residence in which I must have resided for at least one year prior to completion of the improvements covered by this permit, I cannot legally sell a structure that I have built as an owner-builder if it has not been constructed in its entirety by licensed contractors. I understand that a copy of the applicable law, Section 7044 of the Business and Professions Code, is available upon request when this application is submitted or at the following Web site:

<http://www.leginfo.ca.gov/calaw.html> Date: 5/5/16

Signature of Property Owner or Authorized Agent _____

WORKERS' COMPENSATION DECLARATION

WARNING: FAILURE TO SECURE WORKERS' COMPENSATION COVERAGE IS UNLAWFUL AND SHALL SUBJECT AN EMPLOYER TO CRIMINAL PENALTIES AND CIVIL FINES UP TO ONE HUNDRED THOUSAND DOLLARS (\$100,000), IN ADDITION TO THE COST OF COMPENSATION, DAMAGES AS PROVIDED FOR IN SECTION 3706 OF THE LABOR CODE, INTEREST, AND ATTORNEY'S FEES.

I hereby affirm under penalty of perjury one of the following declarations:

I have and will maintain a certificate of consent to self-insure for workers' compensation, issued by the Director of Industrial Relations as provided for by Section 3700 of the Labor Code, for the performance of the work for which this permit is issued.

Policy No. _____

I have and will maintain workers' compensation insurance, as required by Section 3700 of the Labor Code for the performance of the work for which this permit is issued. My workers' compensation insurance carrier and policy number are:

Carrier Accord
Policy Number WSD503145100 Expiration Date 10/31/16

I certify that, in the performance of the work for which this permit is issued, I shall not employ any person in any manner so as to become subject to the workers' compensation laws of California, and agree that if I should become subject to the workers' compensation provisions of Section 3700 of the Labor Code, I shall forthwith comply with those provisions.

Signature of Applicant _____ Date 5/5/16

DECLARATION REGARDING CONSTRUCTION LENDING AGENCY

I hereby affirm under penalty of perjury that there is a construction-lending agency for the performance of the work for which this permit is issued (Section 3097, Civil Code).

Lender's Name _____
Lender's Address _____

HAZMAT / AQMD DECLARATION

Will the applicant or future building occupant handle a hazardous material or a mixture containing a hazardous material equal or greater than the amounts specified in the hazardous materials information guide? NO YES

Refer to the AQMD permitting checklist and/or guidelines. Will the intended use of the building by the applicant or future building occupant require a permit for construction or modification from the South Coast Air Quality Management District (SCAQMD)? NO YES

I have read the hazardous material information guide and the SCAQMD permitting checklist. I understand my requirements under State of California Health and Safety Code, Section 25205, 25233 and 25234 concerning hazardous material reporting. NO YES

DEMOLITION / ASBESTOS DECLARATION

As applicant for a demolition permit, I certify that I have read Section 19827.5 of the Health and Safety Code and declare as follows:

I declare that written asbestos notification is not applicable to the scheduled project.

On the attached sheet(s) are copies of all written asbestos notifications regarding the above-referenced building that are required to be submitted to the United States Environmental Protection Agency or to a designated State agency, or both, pursuant to Part 61 of Title 40 of the Code of Federal Regulation or successor to that part.

By my signature below, I certify to each of the following:

I am the property owner or authorized to act on the property owner's behalf. I have read this application and the information I have provided is correct. I agree to comply with all applicable city and county ordinances and state laws relating to building construction.

I authorize representatives of this city or county to enter the above-identified property for inspection purposes.

I acknowledge that if work is not started within 180 days from the date of issue or if abandoned for more than 180 days, this permit will be null and void.

I acknowledge that a fee may be charged for reinspection due to negligence, incomplete work, or a failure to make corrections.

Signature of Property Owner or Authorized Agent _____ Date 5/5/16



CITY OF GARDEN GROVE
 11222 ACACIA PARKWAY
 GARDEN GROVE, CA 92840
 TEL: (714) 741-5312 FAX: (714) 741-5578

APPLICATION FOR SIGN REVIEW

PLEASE COMPLETE UPPER PORTION, AND SUBMIT TO THE PLANNING SERVICES DIVISION. ALLOW 3 TO 5 WORK DAYS FOR REVIEW.

APPLICATION DATE: 5/5/16
 SITE ADDRESS: 11767 Harbor Blvd., G.G.
 BUSINESS NAME: Embassy Suites
 PERSON TO CONTACT: Fred Siavoshi PHONE: (714) 999-1903
 CONTRACTOR: Coast Sign, Inc. PHONE: (714) 520-9144
 BUSINESS OWNER: Embassy Suites PHONE: (714) 539-3300

SUBMIT COPIES OF THE FOLLOWING WITH THE APPLICATION:

- PLOT PLAN: Show dimensions, setbacks, existing and proposed sign locations, and existing buildings.
- ELEVATIONS: Three (3) copies showing existing and proposed sign locations, sign dimensions, and tenant frontage.
- DETAILED DRAWINGS: Three (3) scaled drawings showing colors, materials, mounting method, copy and dimensions of proposed sign(s).
- LANDLORD'S APPROVAL: Landlord's written approval is required for all proposed sign(s).
- STRUCTURAL CALCULATIONS: Two (2) sets required for freestanding sign(s) (i.e., monument signs).

DEPARTMENT USE ONLY

ZONE: <u>PUD-118-9B</u>	PRIMARY	SECONDARY	SPECIFIC SIGN CRITERIA
Building Frontage	<u>(1)</u>	<u>/</u>	<u>Harbor sign approval</u>
Lot Frontage	<u>(1)</u>	<u>/</u>	<u>PROGRAM GUIDE - DISCUSSED</u>
Allowable Sign Area	<u>38.64 sq ft</u>	<u>/</u>	<u>with PLANNING MANAGER.</u>

EXISTING SIGNS		PROPOSED SIGNS		<input checked="" type="checkbox"/> APPROVED <input type="checkbox"/> DENIED
TYPE	AREA	TYPE	AREA	
1. <u>MONUMENT SIGN</u>	<u>/</u>	1. <u>MONUMENT SIGN</u>	<u>/</u>	DATE: <u>MAY 11, 2016</u>
2. <u>/</u>	<u>/</u>	2. <u>/</u>	<u>/</u>	
3. <u>/</u>	<u>/</u>	3. <u>/</u>	<u>/</u>	
4. <u>/</u>	<u>/</u>	4. <u>/</u>	<u>/</u>	
TOTAL	<u>/</u>	TOTAL	<u>3</u>	
COMBINED TOTAL	<u>36 sq ft</u>	REVIEWED BY:	<u>[Signature]</u>	

Comments, Conditions, Recommendations: _____



**CITY OF GARDEN GROVE
BUILDING SERVICES**

11767 HARBOR BLVD*

PERMIT#:15-0802

ISSUED:4/6/15

General Info : 714-741-5307

Inspection Requests : 855-380-8758

Owner LANDMARK HOTELS II LLC			Telephone	Zip 92840	Building Address 11767 HARBOR BLVD			
Address 11767 HARBOR BLVD			City Garden Grove	State CA	Suite/Unit/Building			
Applicant ARAN MOUNCE ELECTRIC			Telephone 310-470-0790	Zip 90045	TYPE Electrical Permit		ISSUED BY Isabella Zandvliet	
Address 6000 W. 75TH ST			City LOS ANGELEA	State CA	Inspector Dist. R8	Parcel Number 23318202	LOT TRACT	
State Licence 882235	Expires N/A	City Licence	Expires	Valuation				\$0.00
Contractor ARAN MOUNCE ELECTRIC			Telephone 310-470-0790	Zip 90045	Final			
Address 6000 W. 75TH ST			City LOS ANGELEA	State CA	Inspector's Signature <u><i>[Signature]</i></u>			
State Licence 882235	Expires N/A	City Licence	Expires	Date <u>5-7-15</u>				
Floor Area(sq. ft.)		Residential/Commercial Commercial						
Job Description INSTALL 5 NEW RECESSED LIGHTS, 10 OUTLETS AND 9 FIXTURES								
DECLARATION								
I certify that I have read this application/permit and state that the information on all pages of this document is correct. I agree to comply with all City and County ordinances and State laws relating to building construction, and hereby authorize representatives of this City and County to enter upon the above mentioned property for inspection purposes.								
X Applicant's Signature <u><i>[Signature]</i></u> Print Name <u>ARAN MOUNCE</u> Date <u>4-6-2015</u>								
F E E S				Description		Quantity	Amount	
				Issuance Fee		1	\$35.00	
				Building Permit Document Retention Fee		1	\$5.00	
				Building Technology Fee		1	\$10.00	
				Receptical, switch, outlet, and fixture		24	\$23.00	
TOTAL			\$73.00					

This is a building permit when properly filled out, signed and validated, and is subject to expiration if work thereunder is suspended for 180 days.

Permit Type: ELEC

ORIGINAL



**CITY OF GARDEN GROVE
BUILDING SERVICES**

General Info : 714-741-5307
Inspection Requests : 855-380-8758

11767 HARBOR BLVD
PERMIT#:15-0754
ISSUED:3/30/15

Owner			Telephone		Zip	Building Address			
LANDMARK HOTELS II LLC					92840	11767 HARBOR BLVD			
Address		City		State		Suite/Unit/Building			
11767 HARBOR BLVD		Garden Grove		CA		TYPE		ISSUED BY	
						Alterations		Don Lucas	
Applicant			Telephone		Zip	Inspector Dist.		Parcel Number	
DAVID LOPEZ			720-9427			R8		23318202	
Address		City		State		LOT		TRACT	
Contractor			Telephone		Zip	Valuation			
FRAZEE INC			(407) 851-8911		32751	\$10,000.00			
Address		City		State		Final			
1651 SHAWNEE TRL		MAITLAND		FL		Inspector's Signature <i>[Signature]</i>			
State Licence		Expires		City Licence		Expires		Date <u>5-7-15</u>	
760634		3/31/17							
Floor Area(sq. ft.)		Residential/Commercial							
		Commercial							
Job Description									
T.I. FOR ATRIUM AT THE EMBASSY SUITES									
DECLARATION									
I certify that I have read this application/permit and state that the information on all pages of this document is correct. I agree to comply with all City and County ordinances and State laws relating to building construction, and hereby authorize representatives of this City and County to enter upon the above mentioned property for inspection purposes.									
X Applicant's Signature <i>[Signature]</i>									
Print Name <u>JEFFEMEY</u> Date <u>3-30-2015</u>									

Permit Type: PLUMB/ELEC/BLDG

ORIGINAL



**CITY OF GARDEN GROVE
BUILDING SERVICES**

General Info : 714-741-5307
Inspection Requests : 855-380-8758

**11767 HARBOR BLVD
PERMIT#:15-0754
ISSUED:3/30/15**

	F E E S		
	Description	Quantity	Amount
	Ad-hoc	1	\$90.00
	Floor drain	2	\$19.00
	Floor sink	3	\$28.50
	Kitchen Sink	2	\$19.00
	Receptical, switch, outlet, and fixture	28	\$26.00
	Building Permit Document Retention Fee	1	\$5.00
	Building Technology Fee	1	\$10.00
	Plan Retention	21	\$84.00
	BSASRF State Fee		\$1.00
	Engineering Plan Check - Tenant Improvement	1	\$29.70
	Planning Plan Check Fee - Tenant Improvement	1	\$39.60
	Fire Plan Check Fee - Commercial TI under 6000 sqft	1	\$29.70
	Issuance Fee	1	\$35.00
	One-Stop Permit Center Surcharge		\$3.96
	Building Permit Fee		\$198.00
	Plan Check Fee		\$131.27
	Plan Check Fee - Disabled Access (Commercial)	1	\$13.13
	Plan Check Fee - Energy Conservation (Commercial)	1	\$13.13
	Cultural Arts Fee, Valuation		\$6.50
	General Plan Update Fee, Valuation		\$13.00
	TOTAL		\$795.49

This is a building permit when properly filled out, signed and validated, and is subject to expiration if work thereunder is suspended for 180 days.



**CITY OF GARDEN GROVE
BUILDING SERVICES**

General Info : 714-741-5307
Inspection Requests : 714-741-5332

11767 HARBOR BLVD
PERMIT#:11-1154
ISSUED:5/19/11

Owner LANDMARK HOTELS II LLC	Telephone	Zip
Address 11767 HARBOR BLVD	City Garden Grove	State CA

Applicant BRADLEY SIGN ADVERTISING	Telephone	Zip
Address 6268 SADDLE TREE PL	City RANCHO CUCAMONGA	State CA
State Licence 795630	Expires N/A	City Licence Expires

Contractor BRADLEY SIGN ADVERTISING	Telephone	Zip
Address 6268 SADDLE TREE PL	City RANCHO CUCAMONGA	State CA
State Licence 795630	Expires N/A	City Licence Expires

Floor Area(sq. ft.)	Residential/Commercial
	Commercial

Job Description
REPLACE (2) EXIST. SIGNS W/ SAME LETTERS, HEIGHT & COLOR W/ LED INSTEAD OF NEON.

DECLARATION
I certify that I have read this application/permit and state that the information on all pages of this document is correct. I agree to comply with all City and County ordinances and State laws relating to building construction, and hereby authorize representatives of this City and County to enter upon the above mentioned property for inspection purposes.

X Applicant's Signature [Signature]
Print Name Romina Pachan Date 5/19/11

Building Address 11767 HARBOR BLVD
--

Suite/Unit/Building

TYPE Sign	ISSUED BY Joanne Chung
--------------	---------------------------

Inspector Dist. R8	Parcel Number 23318202	LOT	TRACT
-----------------------	---------------------------	-----	-------

Valuation \$8,000.00

Final *Expired 11-15-11*
Inspector's Signature [Signature]
Date **EXPIRED**

F E E S	Description	Quantity	Amount
	General Plan Update Fee, Valuation		\$10.67
	Cultural Arts Fee, Valuation		\$5.33
	BSASRF State Fee		\$1.00
	Signs: outline lighting and marquees	2	\$59.50
	Issuance Fee	1	\$35.00
	Building Permit Fee		\$171.50
	One-Stop Permit Center Surcharge		\$3.43
TOTAL		\$286.43	

This is a building permit when properly filled out, signed and validated, and is subject to expiration if work thereunder is suspended for 180 days.

EXPIRED

ORIGINAL

Permit Type: BLDG/ELEC

**CITY OF GARDEN GROVE
BUILDING SERVICES**

**11767 HARBOR BLVD
PERMIT#:09-1843
ISSUED:11/18/09**

General Info : 714-741-5307
Inspection Requests : 714-741-5332

Owner LANDMARK HOTELS II LLC		Telephone	Zip 92840	Building Address 11767 HARBOR BLVD	
Address 11767 HARBOR BLVD		City Garden Grove	State CA	Suite/Unit/Building	
Applicant ROY ROSAL		Telephone 626-222-0153	Zip	TYPE Electrical Permit	ISSUED BY Joanne Chung
Address		City	State	Inspector Dist. R8	Parcel Number 23318202
Contractor ROYAL CONSTRUCTION		Telephone	Zip 91744	LOT	TRACT
Address 1030 GREYCLIFF AVE		City LA PUENTE	State	Valuation \$0.00	
State Licence 638729	Expires N/A	City Licence	Expires	Final	
Floor Area(sq. ft.)		Residential/Commercial Commercial		Inspector's Signature <i>M. M. Garcia</i>	
Job Description ELECTRICAL TO INSTALL 3'X 3'SUMP PIT SUBMERSIBLE PUMP				Date <i>12/21/09</i>	
DECLARATION I certify that I have read this application/permit and state that the information on all pages of this document is correct. I agree to comply with all City and County ordinances and State laws relating to building construction, and hereby authorize representatives of this City and County to enter upon the above mentioned property for inspection purposes.				F E E S	
X Applicant's Signature <i>[Signature]</i>				Description	Quantity
Print Name <i>ROYAL ROSAL</i>		Date <i>11/18/09</i>		Issuance Fee	1
				Power Apparatus - Not over HP/kW/kVA/kVAR	1
				TOTAL	\$44.50

This is a building permit when properly filled out, signed and validated, and is subject to expiration if work thereunder is suspended for 180 days.

Permit Type: BLDG/ELEC

ORIGINAL



General Information: 714-741-5307

CITY OF GARDEN GROVE - DEVELOPMENT SERVICES DEPARTMENT

Inspection Requests: 714-741-

PERMIT (PAGE 2 of 2)

PROJECT/SITE/BUILDING DESCRIPTION

JOB Address : 11767 HARBOR BLVD
 Suite
 PERMIT NO. : 52966
 Permit Type :
 Type : E

Owner : LANDMARK CO LLC
 Applicant : ANDERSON & HOWARD ELECTRIC INC
 Appl Address : 1791 REYNOLDS AVE
 IRVINE, CA 92614
 Phone : 949 250 4555

Insp Dist : ZE
 Date : 11/30/00
 Parcel No : 23318301

PROPOSED WORK:

EMBASSY SUITES

FEEES

942 22130	GENERAL PLAN	1	2.00
080 32550	CULTURAL ARTS	1	1.00
111 32401	Issuance	1	35.00
111 32412	SERVICE >1000A OR >6	1	110.00
111 32412	outlets/fixtures 1-1	10	9.00
111 32412	outlets/fixtures eac	2217	1441.05
111 32412	residential applianc	18	117.00
111 32412	CLOTHES DRYER	18	81.00
111 32412	DISHWASHER	1	4.50
111 32412	pwr appar not over o	63	409.50
111 32412	pwr appar over one-t	465	5580.00
111 32412	pwr appar over 10-50	25	625.00
111 32412	pwr appa over 50-100	9	360.00
111 32412	KITCHEN FAN	2	9.00
111 32412	DISTRIBUTION PANEL	96	1248.00
111 32412	non-res appliances	5	32.50
111 32412	non-res appliances	66	429.00
111 32412	SWITCHBRD MOTOR CNTR	4	128.00
111 32412	COOKING DEVICE 10000	17	153.00
111 32505	PLAN CHECK (\$60.00 M	1	9126.07
TOTAL			19900.62

INSPECTION RECORD

APPROVAL _____ DATE _____ INSPECTOR _____

Underground _____

Conduit _____

Wiring - Rough _____

Heater _____

Fixtures & Trim _____

Motors _____

Ufer _____

Service _____

FINAL 1-14-02 T.H.

Utility Notified _____

AUTHORIZATION

Issued By: janetw Date _____

DECLARATION

I certify that I have read this application/permit and state that the information on all pages of this document is correct. I agree to comply with all City and County ordinances and State laws relating to building construction, and hereby authorize representatives of this City and County to enter upon the above mentioned property for inspection purposes.

Applicant's Signature _____

Print Name _____ Date _____

***** VALIDATION *****
 PAID ON 30 Nov 2000 AT 14:42
 RECEIVED BY LARAINEM 198.245.206.215/2 TRANS# 102
 AMOUNT PAID \$52297.05 BY CHECK#0048912
 TOTAL PAID = \$52297.05

PERMIT NO.: 83081
TYPE: BUILDING MISCELLANEOUS^BUILDING
REQUEST: FOOTING

REQUEST DATE: 02/28/06
11767 HARBOR BLVD
MAP COORDINATES: ZB
PRIMARY INSPECTOR: DAVE

OTHER ACTIVE PERMITS AT THIS ADDRESS:

- 79500 A INSTALLATION OF, (6) FIRE SPRINKLERS
- 58659 A LIGHT STANDARDS FOR HOTEL PARKING LOT
- 57509 A DUCT & HOOD FIRE SUPPRESSION
- 52966 A EMBASSY SUITES
- 52088 A AUTOMATIC FIRE SPRINKLER & STAND PIPE SYSTEM 13 FLOORS 15,000 GAL WATER TANK.
- 51358 A NEW (14) STORY HOTEL (EMBASSY SUITES).

INSPECTION ACTIVITY FOR THIS PERMIT:

NONE

CORRECTIONS:

Remove water

*from fumes
and recall*

2-28-06



PERMIT (PAGE 2 of 2)

PROJECT/SITE/BUILDING DESCRIPTION

JOB Address : 11767 HARBOR BLVD
 Suite :
 PERMIT NO. : 83081
 Permit Type : BUILDING
 Type : B21
 MISCELLANEOUS
 Owner : TOGNAZZINI TERRY GARDEN GROVE
 Applicant :
 Phone :
 Contractor : CONTEMPO CONSTRUCTION
 Address : 716 S BRONSON AVE
 CityStZip : LOS ANGELES, CA 90005
 Phone : 213-321-7980
 Insp Dist : ZB
 Date : 12/12/05
 Parcel No : 23318301
 Value : 18000
 Floor area : 168

PROPOSED WORK:

O39 - MISCELLENEOUS

ADD 168 SF TO EXIST. KITCHEN OF THE EMBAS SY SUITES FOR WALK-IN COOLER

REVISED DESCRIPTION:-
 ADD 168 S.F. ATTACHED SHED AT EMBASSY SUITES.
 FEES

111 32509 PLAN CHECK 65% (\$42.0	1	241.86
111 32410 Permit	1	310.08
111 32401 issuance	1	35.00
111 32435 Strong Motion Fee (C	1	3.78
942 22130 General Plan	1	22.45
080 32550 Cultural Arts	1	11.06
111 32509 PLAN CHECK FEE CREDI	1	-221.71
TOTAL		402.52

INSPECTION RECORD

APPROVAL	DATE	INSPECTOR
Pre Inspect		
Foundation	12/1/05	[Signature]
Concrete Floor		
Reinforcing		
Masonry		
Roof Shtg.		
Rough Frame		
Insul / Energy		
Drywall		
Lath		
Plas. Brown Ct.		
Landscaping		
Pre Gunitite		
Pre Deck		
Pre Plaster		
Planning Final	12/4/05	
Bldg Final		
Utility Notified		

EXPIRED

AUTHORIZATION

Issued By: yoavs _____ Date _____

DECLARATION

I certify that I have read this application/permit and state that the information on all pages of this document is correct. I agree to comply with all City and County ordinances and State laws relating to building construction, and hereby authorize representatives of this City and County to enter upon the above mentioned property for inspection purposes.

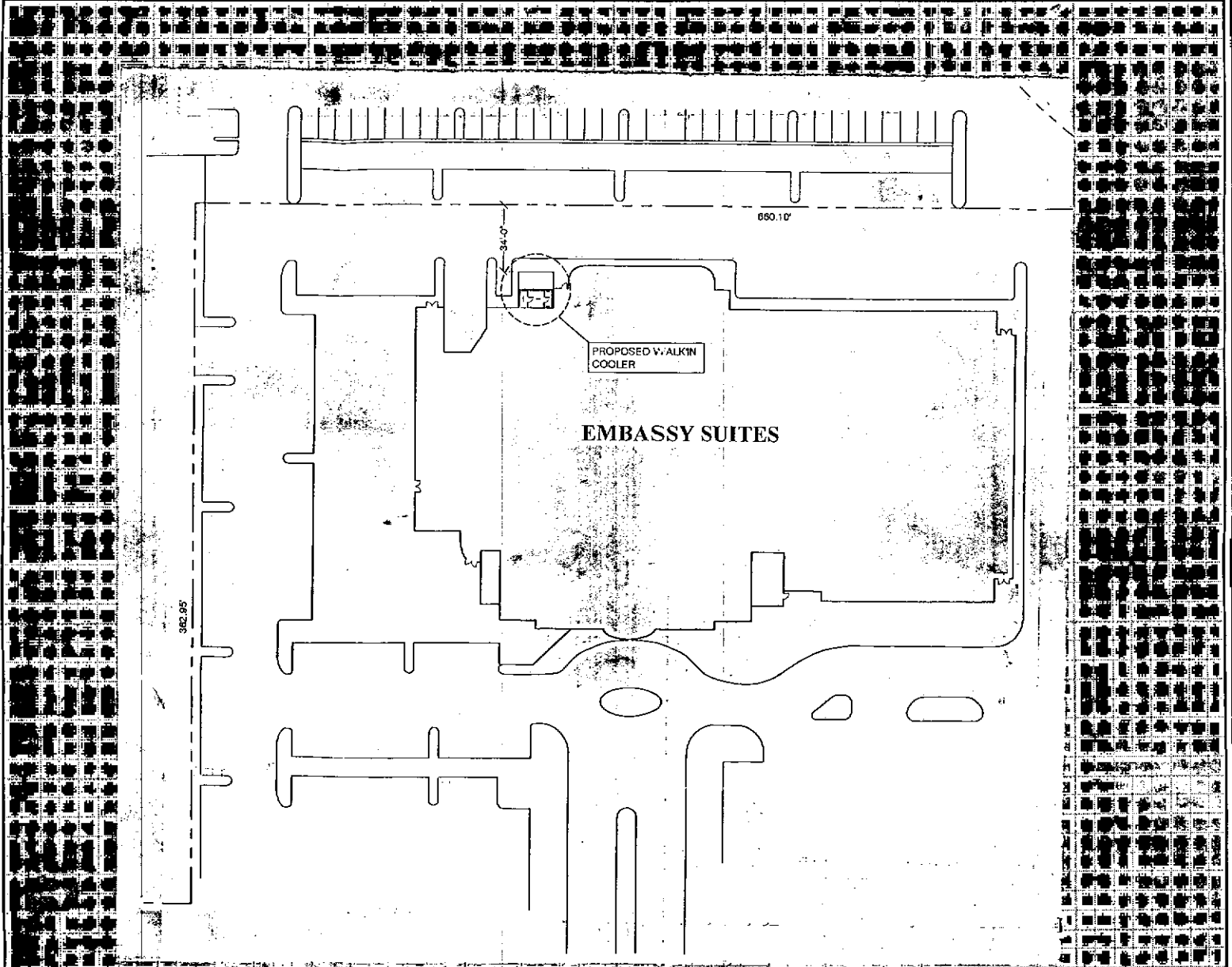
Applicant's Signature _____
 Print Name Romy Bontino date 12/12/05

***** VALIDATION *****
 PAID ON 12 Dec 2005 AT 12:31
 RECEIVED BY LARINEM 198:245.206.215/2 TRANS# 130
 CASH PAID = \$420.52 CASH RETURNED = \$18.00
 TOTAL PAID = \$402.52

Plot Plan Form

Planning Action:	Zone:	Coverage:	Job Address: 11767 Harbor Blvd.	Permit No.: 8308
Approved By:	Date:	Increase:	Assessor Parcel No.: 23318301	Tract & Lot #:
Remarks:			Occupancy:	Const. Type:
			Value: 18,000	
			<input type="checkbox"/> New <input type="checkbox"/> Alter <input checked="" type="checkbox"/> Add <input type="checkbox"/> Repair <input type="checkbox"/> Demo	

Job Description: Add 168 S.F. Attached Shelden at Embassy Suite for Walkin Cooler



I certify the information hereon is complete & correct.

Embassy Suites Hotel
Owner's Name (print)

[Signature]
Signature (owner/agent)

12/12/05
Date

Garden Grove Unified School District
Certification of Compliance
Payment of School Facility Fees

No 2923

✓ Developer/Applicant Embassy Suites Hotel - Romy Dolentino
✓ Address 11767 So. Harbor Blvd., Garden Grove
✓ Telephone Number (949) 321-7980
✓ Project Location 11767 So. Harbor Blvd., Garden Grove
Street Address City ZIP

OFFICE USE			
Elem. School	Int. School	High School	Thomas Map No.


Number of Square Feet of Residential Space X Total \$

Number of Square Feet of Commercial and Industrial Space 168 X .36 Total \$ 60.48

The above representations as to square footage are true. Developer/Applicant agrees that if it is later determined that such representations are not true then this certificate shall automatically terminate and the appropriate City/County shall be notified.

Applicant is hereby noticed that any party filing a protest regarding the imposition of fees pursuant to Government Code Section 53080 must do so within 90 days from the payment of the fee.

12/12/06
Date


Developer/Applicant


Receipt of Payment

This certifies that the above-named Developer/Applicant has paid school facility fees in compliance with Government Code Sections 53080 and 65995.

These fees have been received from Embassy Suites
Sixty & 8/100 Dollars \$ 60.48

Cash Check Check No. Bank

12/12/06
Date


Superintendent Designee
Garden Grove Unified School District



**CITY OF GARDEN GROVE
BUILDING SERVICES**

✓ **11767 HARBOR BLVD**
PERMIT#:09-1844
ISSUED:11/18/09

General Info : 714-741-5307
 Inspection Requests : 714-741-5332

Owner			Telephone	Zip	Building Address		
LANDMARK HOTELS II LLC				92840	11767 HARBOR BLVD		
Address		City	State	Suite/Unit/Building			
11767 HARBOR BLVD		Garden Grove	CA	TYPE Plumbing Permit		ISSUED BY Joanne Chung	
Applicant			Telephone	Zip	Inspector Dist. Parcel Number LOT TRACT		
ROY ROSAL			626-222-0153		R8	23318202	
Address		City	State	Valuation			
				\$0.00			
Contractor			Telephone	Zip	Final		
ROYAL CONSTRUCTION				91744	Inspector's Signature <i>[Signature]</i>		
Address		City	State	Date <i>12/21/09</i>			
1030 GREYCLIFF AVE		LA PUENTE					
State Licence	Expires	City Licence	Expires				
638729	N/A						
Floor Area(sq. ft.)		Residential/Commercial					
		Commercial					
Job Description							
PLUMBING TO INSTALL 3'X 3'SUMP PIT SUBMERSIBLE PUMP							
DECLARATION							
I certify that I have read this application/permit and state that the information on all pages of this document is correct. I agree to comply with all City and County ordinances and State laws relating to building construction, and hereby authorize representatives of this City and County to enter upon the above mentioned property for inspection purposes.							
<input checked="" type="checkbox"/>	Applicant's Signature <i>[Signature]</i>						
	Print Name	Date					
	ROYAL ROSAL	11/18/09					

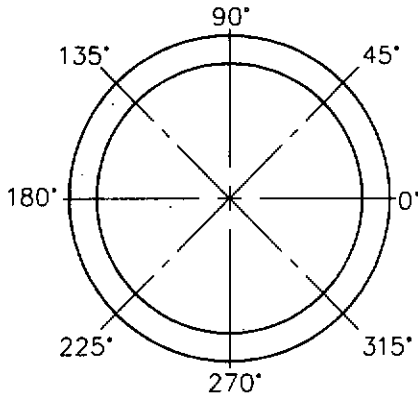
	Description	Quantity	Amount
F E E S	Issuance Fee	1	\$35.00
	Building Sewer	10	\$30.00
	Swimming Pools, spas or hot tubs	1	\$65.00
	Miscellaneous Plumbing	1	\$9.50
	TOTAL		

This is a building permit when properly filled out, signed and validated, and is subject to expiration if work thereunder is suspended for 180 days.

Permit Type: BLDG/PLUMB

ORIGINAL

48" I.D. X 5" WALL PUMP STATION FOR SIMPLEX OR DUPLEX SYSTEM

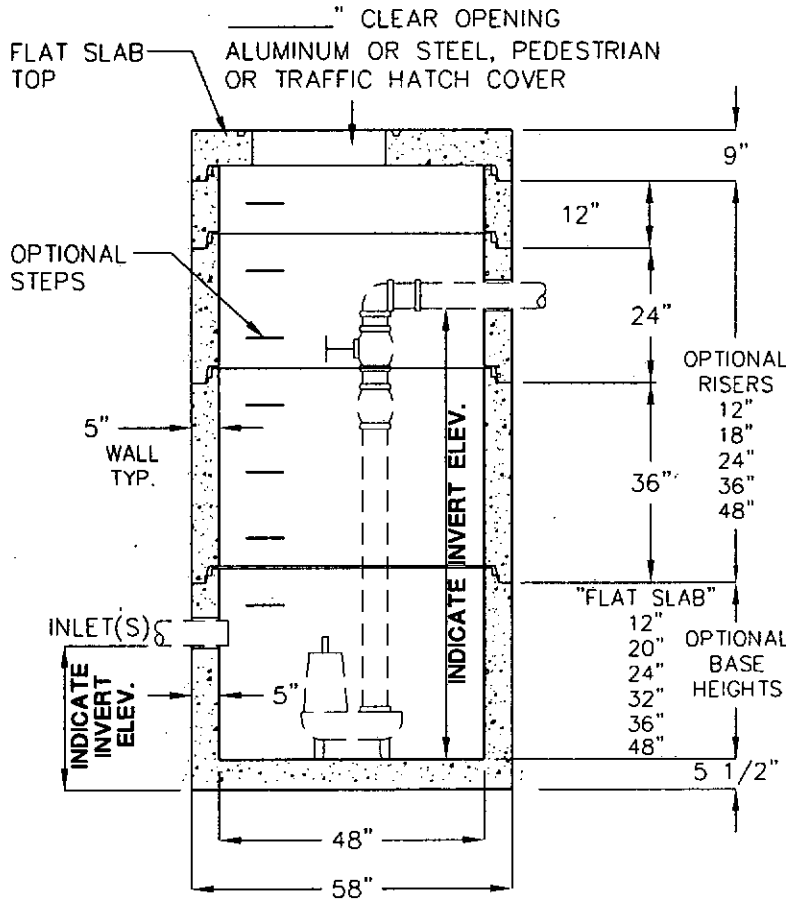


INDICATE PIPE
PENETRATIONS, (DEGREES)
OPENING SIZE
AND LOCATION

INDICATE
HOLE SPECIFICATIONS

HOLE	SIZE	LOCATION (PLAN) (DEGREES)	INVERT ELEVATION (OUTSIDE MEASURE)

INDICATE COVER OPTION



NOTES:

1. CONFORMS TO ASTM SPECS C-478 AND AASHTO M199-811 MAXIMUM DESIGN DEPTH, 30'. FOR GREATER DEPTHS, CONTACT JENSEN PRECAST.

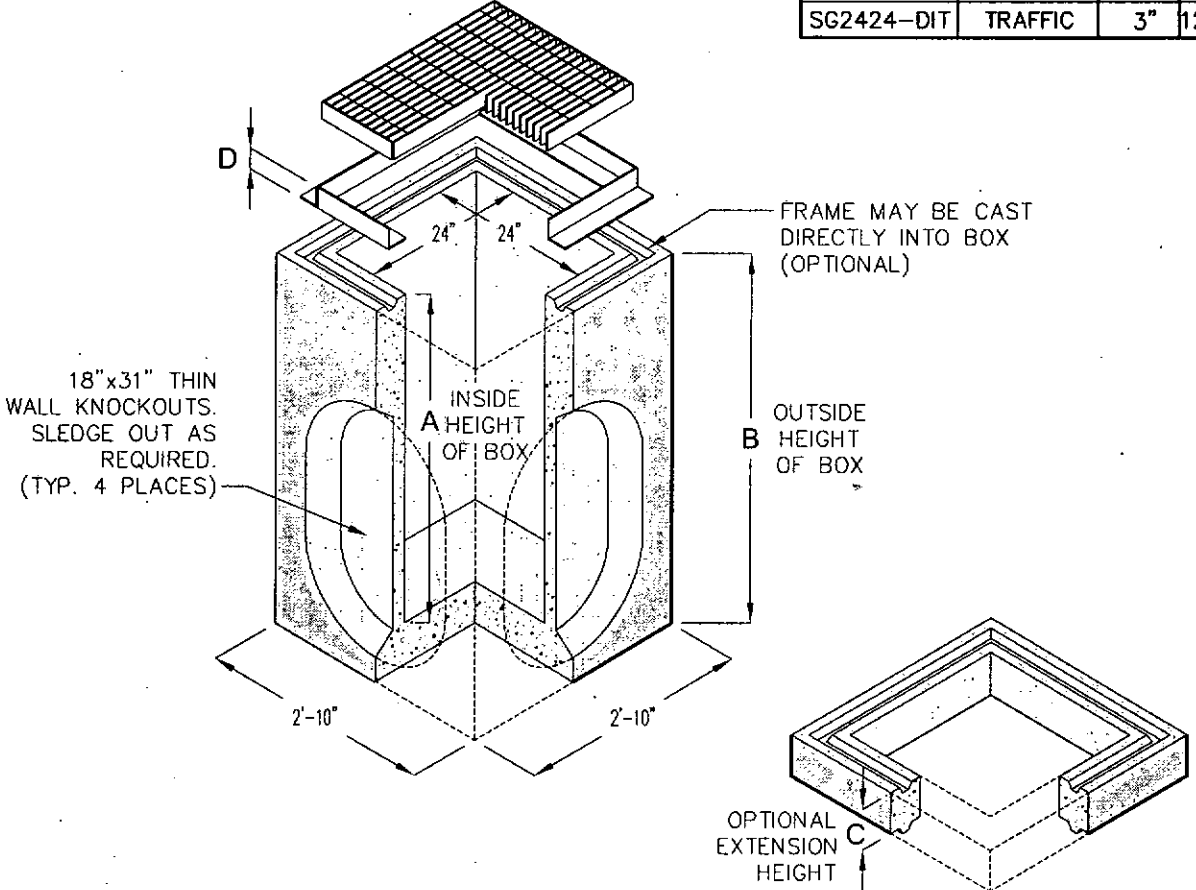
2. VARIOUS PIPE TO MANHOLE CONNECTOR OPTIONS AVAILABLE. CONTACT JENSEN PRECAST FOR MORE INFORMATION.

FOR COMPLETE DESIGN AND PRODUCT INFORMATION, CONTACT JENSEN PRECAST.

DROP INLET			
MODEL NO.	A	B	*WEIGHT
DI242436	36"	42"	1900 LBS.
DI242448	48"	54"	2500 LBS.

*BOX ONLY

FRAME AND GRATE			
MODEL NO.	RATING	D	WEIGHT
SG2424-DIP	PEDESTRIAN	1 1/2"	41 LBS.
SG2424-DIT	TRAFFIC	3"	120 LBS.



EXTENSION		
MODEL NO.	C	WEIGHT
RS242406	6"	300 LBS.
RS242412	12"	600 LBS.

- FRAME AND GRATE ASSEMBLY AVAILABLE IN TRAFFIC OR PEDESTRIAN MODELS.
- DESIGN FOR H-20-44 BRIDGE LOADING.
- ASSEMBLY TO BE PLACED ON A 6" BASE OF CRUSHER RUN FOR EASE OF INSTALLATION AND EVEN LOAD DISTRIBUTION.
- FOR COMPLETE DESIGN AND PRODUCT INFORMATION, CONTACT JENSEN PRECAST.

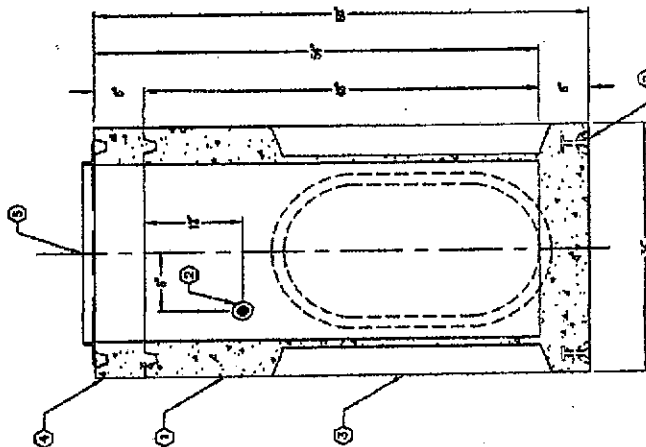
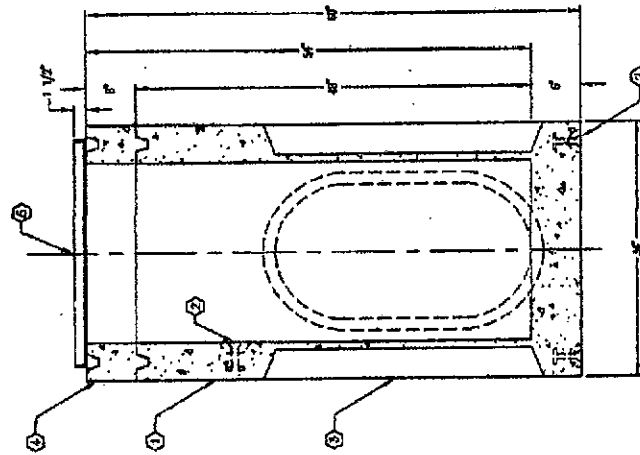
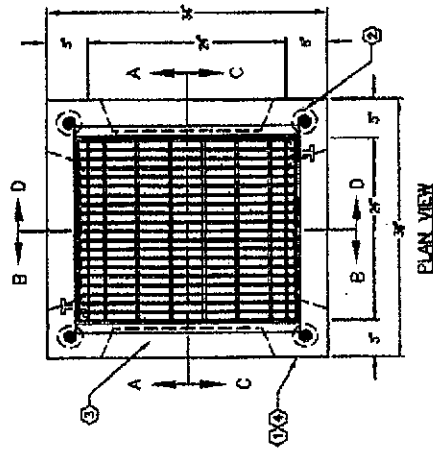
■ ILLUSTRATION IS TYPICAL ONLY OF GENERAL SERIES CONFIGURATION: FOR SPECIFIC CONFIGURATION, CALL JENSEN PRECAST.

24" X 24" DRAIN INLET	
<small>ORG. DWG. DATE</small> 11-28-00	<small>REV. DWG. DATE</small>
DI2424	

NOTES:

1. D12424-B48, 48" BOTTOM SECTION (CC-D12424-B48), WT. 3,200 lbs
2. 2 TON x 3 3/4" LONG GALV. SL. ANCHORS. LOCATE AS FOLLOWS:
BOTTOM SECTION (2) CORE MTD., (4) SURFACE MTD.
3. 18" x 31" K.O. LOCATE AS FOLLOWS: BOTTOM SECTION (4) SHELL MTD.
4. (1) D12424-R6, 6" HIGH RISER RING.
5. 24" X 24" GALV PARKWAY FRAME (F2424-DI-PC) AND GRATE (SG2424-DIFG) SHIP LOOSE

- CONCRETE IS DESIGNED FOR H-20-44 BRIDGE LOADING USING 5,500 PSI [37.92MPa] COMPRESSIVE STRENGTH CONCRETE AND 60,000 PSI [413.2MPa] REINFORCING STEEL
- GRATE DESIGNED FOR PARKWAY LOADING 300 PSF.
- VAULT TO BE PLACED ON A 6" BASE OF CRUSHER RUN FOR EASE OF INSTALLATION AND EVEN LOAD DISTRIBUTION.



**JENSEN
PRECAST**

14221 SAN BERNARDINO AVE., FONTANA, CA 92335

THE DESIGN AND DETAIL OF THIS DRAWING ARE THE PROPERTY OF JENSEN PRECAST AND NOT TO BE USED EXCEPT IN CONNECTION WITH ITS OWN WORK. DESIGN AND INVENTION RIGHTS ARE RESERVED.

DRAWN BY: YK DATE: 06-25-08 SCALE: 1 1/2" = 1'-0"

D12424 SERIES 54" DEEP WITH KNOCKOUTS-CATCH BASIN

DATE: D12424-B54-S09-TOM

AutoCAD 2005

#	DATE	DESCRIPTION	BY

BILL OF MATERIALS

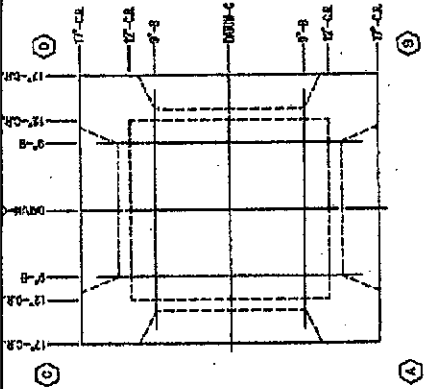
Item	Qty.	Description	FL	WT.	L1	CENTER	L2
A	4	# 4 REBAR x 126 1/2	42	26.2	49 1/2	31	49 1/2
B	4	# 4 REBAR x 30	10	6.7		30	
C	2	# 4 REBAR x 25	4	2.8		25	
D	4	# 4 REBAR x 71 1/2	24	15.9	16	30	30
TOTALS			80	51.6			

NOTES:

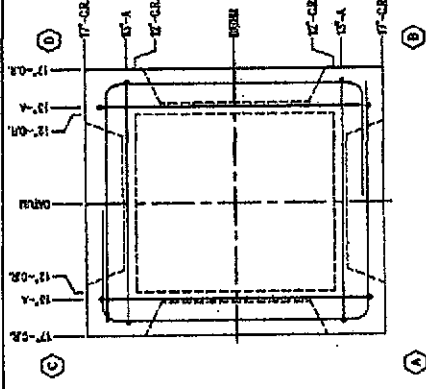
1. DEPENDING PER STRUCTURAL CODES.
2. ALL REBAR MUST BE CONFORM TO ASTM A-618.
3. ALL REBAR MUST BE COVER OVER REINFORCING STEEL SHALL BE AS FOLLOWS:
 - (a) 1 1/2" FOR INSIDE & OUTSIDE FACE OF WALLS.
 - (b) 1 1/2" FOR INSIDE & OUTSIDE FACE OF BASE SLAB.
 - (c) 3/4" FOR SHEAR KEYS.
4. UNLESS OTHERWISE SPECIFIED, REBAR SHALL BE PLACED IN WRITTEN CONFORMANCE WITH THE REBAR DETAIL DRAWING. REBAR SHALL BE ASCERTAINED BY ENGINEER OF RECORD. REBAR SHALL BE ASCERTAINED BY ENGINEER OF RECORD WITHOUT WRITTEN CONSENT OF ENGINEER OF RECORD.

TOLERANCES

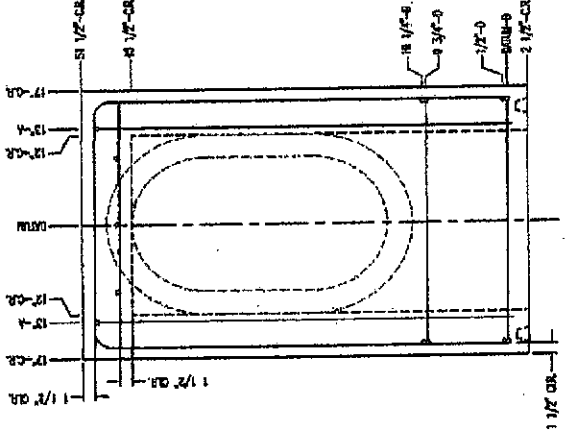
1. DIMENSIONS AFFECTING COVERAGE $\pm 1/8"$ $-0"$.
2. DIMENSIONS IN PLANE OF CURVE AND NOT AFFECTING ABOVE $\pm .1"$.



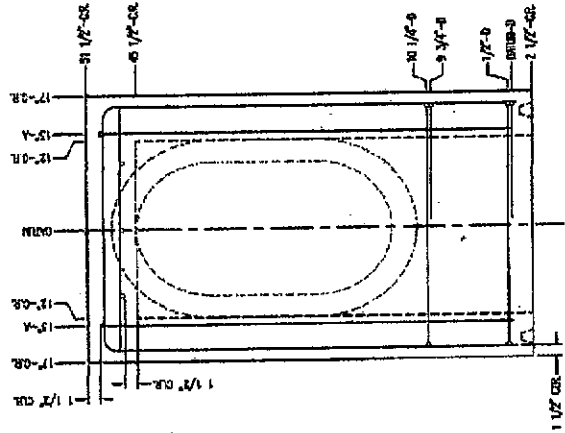
PLAN VIEW
(OUTSIDE REINFORCEMENT)



PLAN VIEW
(INSIDE REINFORCEMENT)



END ELEVATION B-D



END ELEVATION A-B

JENSEN
PRECAST

14221 SAN BERNARDINO AVE., FONTANA, CA 92335

THE DESIGN AND DETAIL OF THIS DRAWING ARE THE PROPERTY OF JENSEN PRECAST AND NOT TO BE USED FOR ANY OTHER PROJECT WITHOUT THE DESIGN AND INVENTION RIGHTS ARE RESERVED.

DRAWN BY:	D.P.	DATE:	10-6-99	SCALE:	1 1/2"=1'-0"
-----------	------	-------	---------	--------	--------------

REBAR FOR 2424 SERIES 48"
BOTTOM SECTION - DRAIN INLET

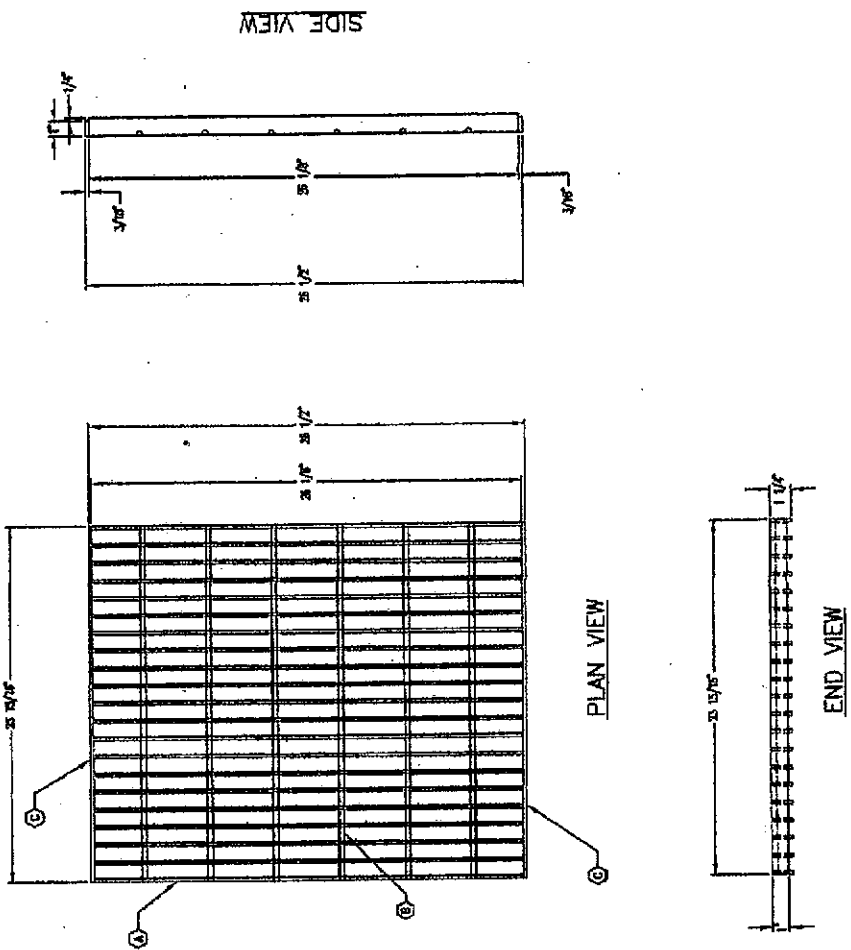
DRG. NO.
CG-D12424-B48 (268)

AUTOCAD 14

NO.	DATE	DESCRIPTION	BY
A	10-6-99	REV RELEASE	DRS
B	10-19-99	CONTRACT WALL TO 5'	DRS

BILL OF MATERIALS			WT.
A	21	26 1/8" x 1 1/4" x 3/16" THK. FLAT BAR @ 1 3/16" O.C.	37
B	6	23 15/16" x 5/16" DIA. @ 4" O.C.	1
C	2	23 15/16" x 1" x 3/16" THK. FLAT BAR	3
TOTAL			41

- NOTES:
1. PARKWAY GRATE (N-19-4 PACIFIC GRATING)
 2. FOR FRAME SEE DWG. F2424-DI-PG
 3. HOT DIP GALVANIZED.



JANSEN
PRECAST

14221 SAN BERNARDINO AVE., FONTANA, CA 92335

THE DESIGN AND DETAIL OF THIS DRAWING ARE THE PROPERTY OF JANSEN PRECAST AND NOT TO BE USED EXCEPT IN CONNECTION WITH ITS OPEN WORK DESIGN AND INVENTION RIGHTS ARE RESERVED.

DATE: 10-29-98
SCALE: 3/4"=1'-0"

DWG. NO.: D2424 SERIES PARKWAY GRATE

DWG. NO.: SG2424-DIPG

APPROVED 2005

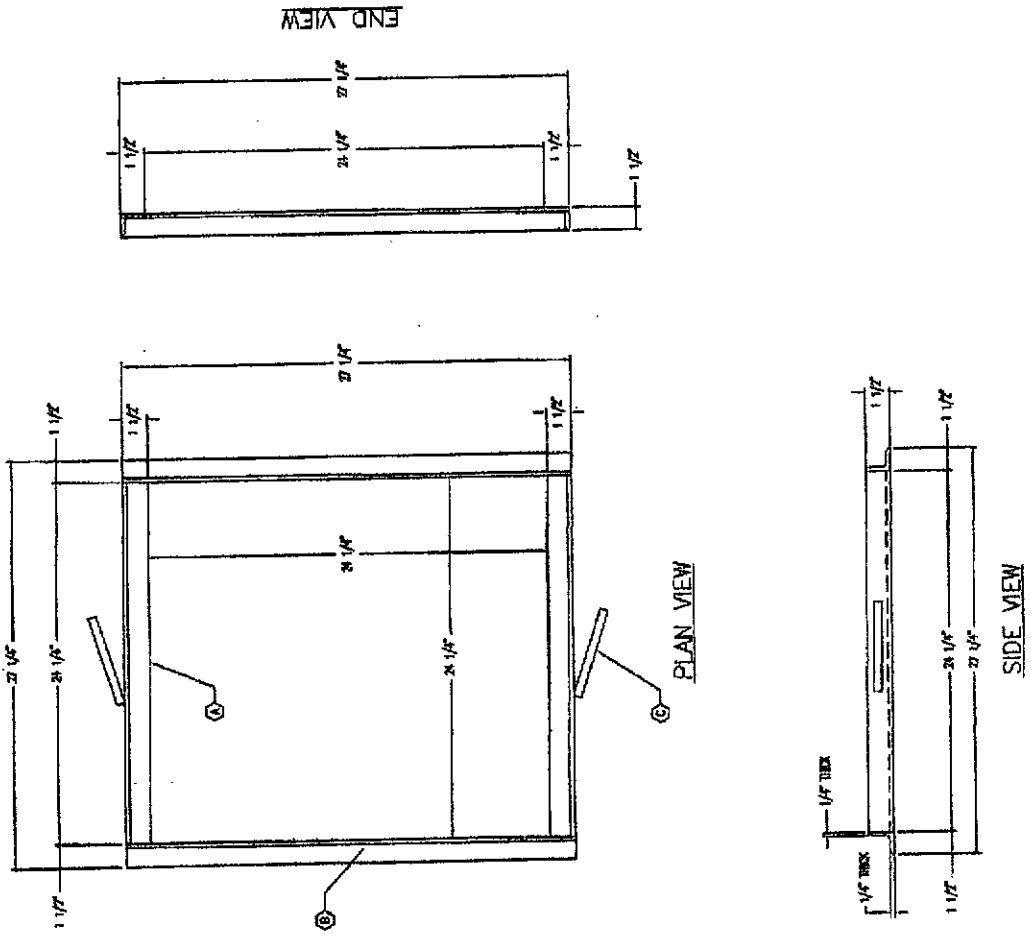
#	DATE	DESCRIPTION	BY

BILL OF MATERIALS

ITEM	QTY	DESCRIPTION	WT.
A	2	1 1/2" x 1 1/2" x 1/4" THK. ANGLE @ 2 1/4" DIA	9 lbs
B	2	1 1/2" x 1 1/2" x 1/4" THK. ANGLE @ 2 1/4" DIA	11 lbs
C	2	#4 REBAR @ 6" LONG @ 0.683 LB	1.36
TOTAL WEIGHT			21 lbs

NOTE:
HOT DIP GALVANIZED AFTER FABRICATION

--FOR GRATE SEE DWG. SC2424-DIPG
--FOR COVER SEE DWG. SC2424-DIP



14221 SAN BERNARDINO AVE., FONTANA, CA 92335

THE DESIGN AND DETAIL OF THIS DRAWING ARE THE PROPERTY OF JENSEN PRECAST AND NOT TO BE USED EXCEPT IN CONNECTION WITH ITS OWN WORK. DESIGN AND INVENTION RIGHTS ARE RESERVED.

DRAWN BY: DATE: 11-1-99 SCALE: 3'-1'-0"

D2424 SERIES PARKWAY FRAME

DWG. NO.: F2424-DI-PG

Revised: 2006

NO.	DESCRIPTION	BY

EMBASSY SUITES HOTEL
 GARDEN GROVE
 HARBOUR BLVD, GARDEN GROVE

RE: DRAINAGE/SUMP PIT AT PARKING LOT

City of Garden Grove, Community Development Department
 Building Services Division
 APPROVED

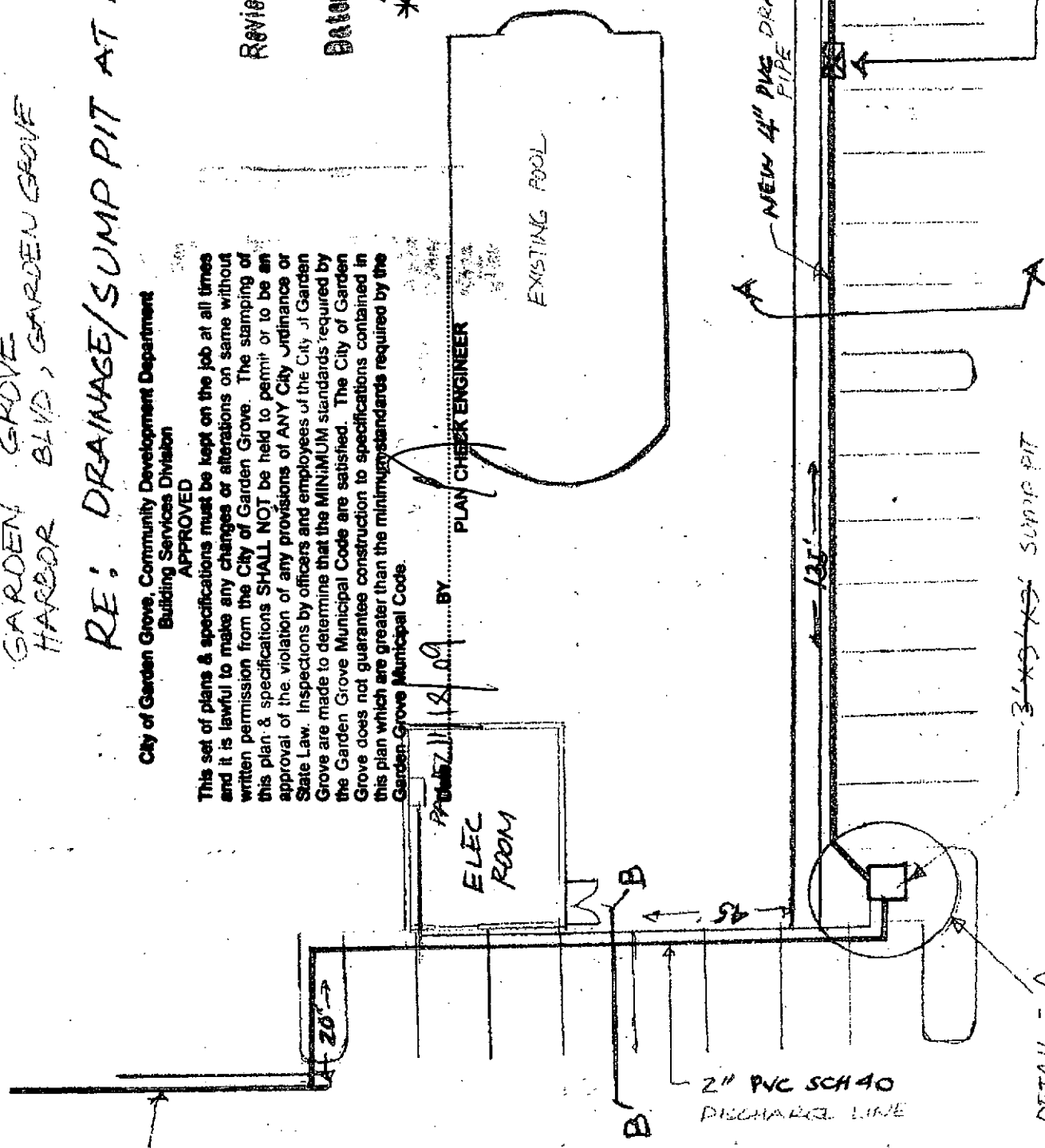
This set of plans & specifications must be kept on the job at all times and it is lawful to make any changes or alterations on same without written permission from the City of Garden Grove. The stamping of this plan & specifications SHALL NOT be held to permit or to be an approval of the violation of any provisions of ANY City Ordinance or State Law. Inspections by officers and employees of the City of Garden Grove are made to determine that the MINIMUM standards required by the Garden Grove Municipal Code are satisfied. The City of Garden Grove does not guarantee construction to specifications contained in this plan which are greater than the minimum standards required by the Garden Grove Municipal Code.

Reviewed by *A.J. Holmon*
 A.J. Holmon

Date *10-12-09*
 Approved *AAH*

* Operational system
 check required
 (diverter valve)

18.09 BY PLAN CHECK ENGINEER

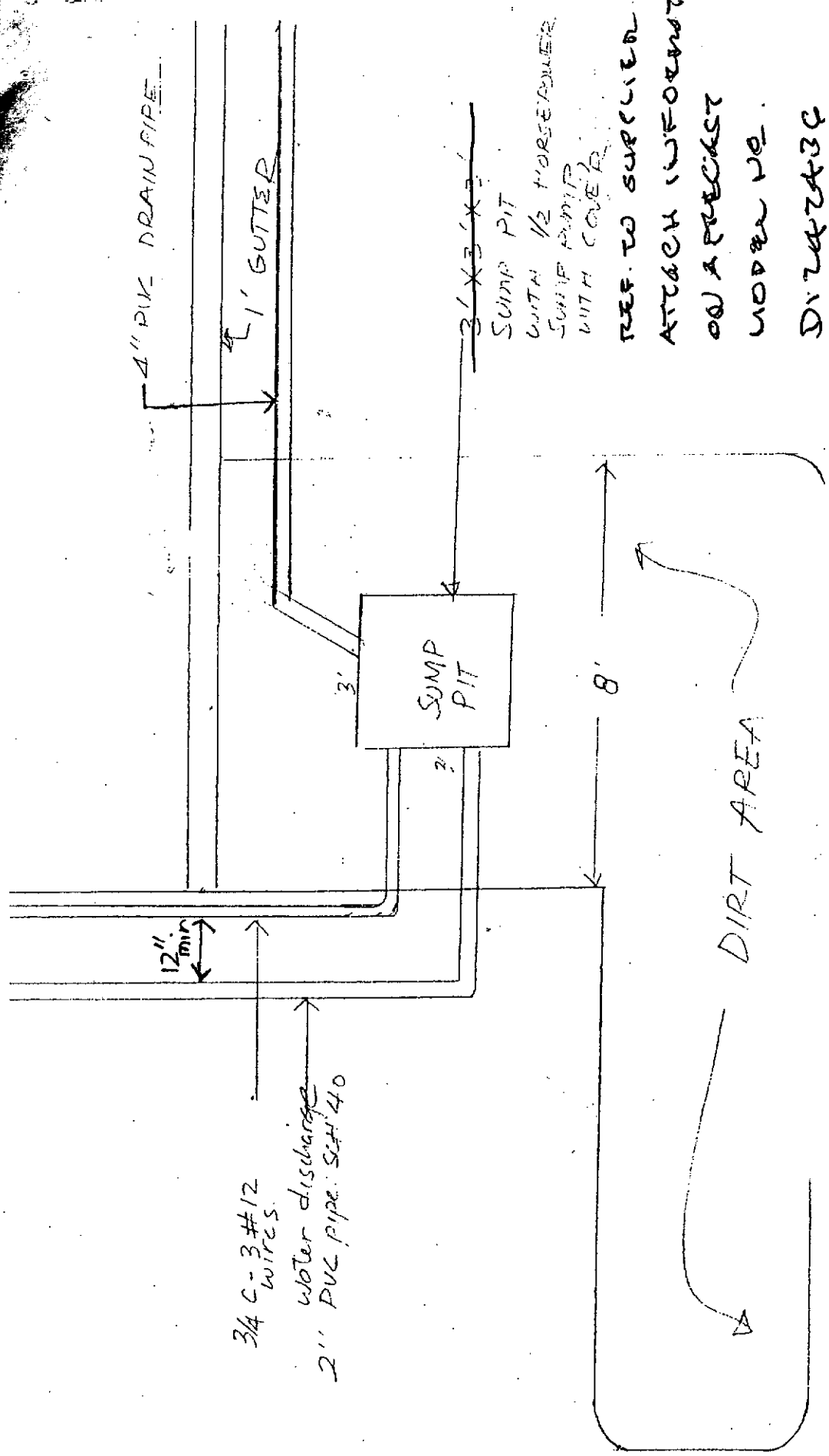


EXISTING GRATED
 SEWER LINE. CONNECTED
 TO THE MAIN PROPERTY
 SEWER LINE.

~~3'x3'x3'~~ SUMP PIT
 WITH 1/2 HORSE POWER
 SUMP PUMP 120V/10/3
 LOCATED IN DIRT AREA
 SEE DETAIL - A

"City Set"

PLOT PLAN



4" PVC DRAIN PIPE

1' GUTTER

3' X 3' X 3'

SUMP PIT

SUMP PIT

WITH 1/2 HORSEPOWER
SUMP PUMP
WITH COVER

REF. TO SUPPLIER
ATTACH INFORMATION
ON A PRECAST
MODEL NO.

D1242439

24024036 in

240240

D1242448

MODEL

DIRT AREA

8'

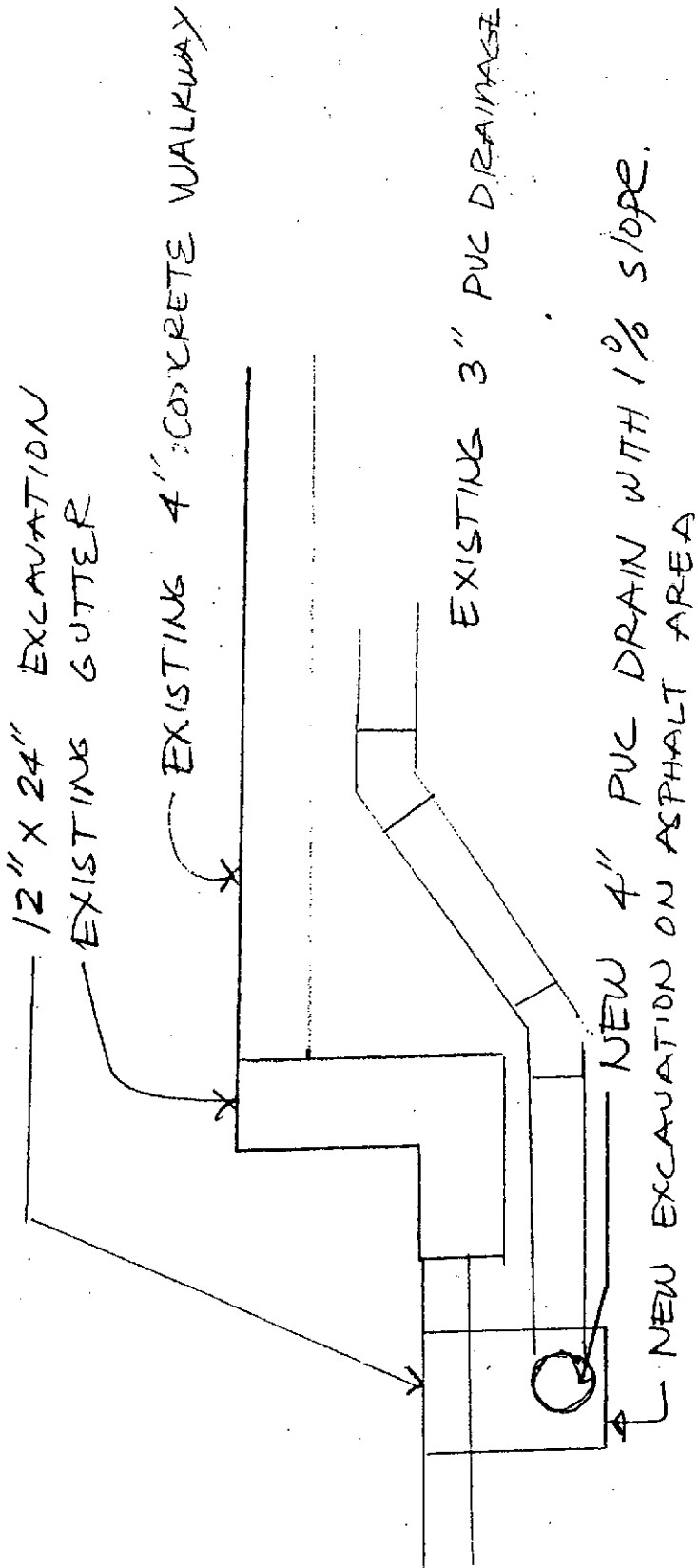
12" min

3/4" C-3 #12
WIRES

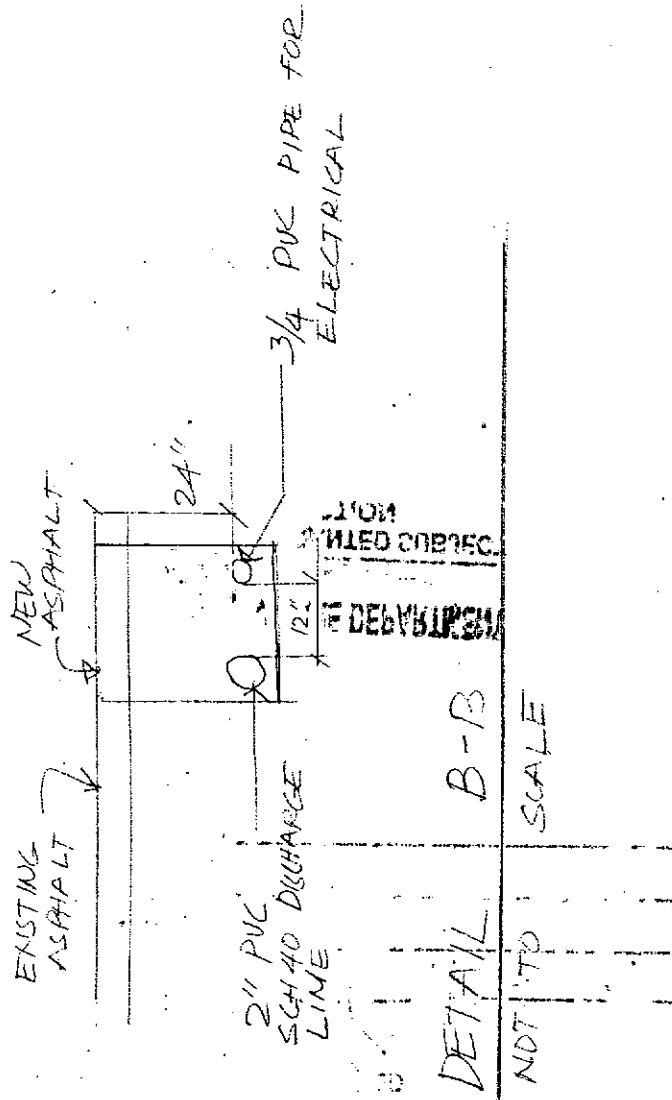
water discharge
2" PVC pipe: SCH 40

DETAIL - A

NOT TO SCALE



DETAIL A-A
 NOT TO SCALE





**CITY OF GARDEN GROVE
BUILDING SERVICES**

✓ **11767 HARBOR BLVD**
PERMIT#:09-1842
ISSUED:11/18/09

General Info : 714-741-5307
 Inspection Requests : 714-741-5332

Owner		Telephone		Zip	Building Address			
LANDMARK HOTELS II LLC				92840	11767 HARBOR BLVD			
Applicant		Telephone		Zip	Suite/Unit/Building			
ROYAL CONSTRUCTION				91744	TYPE Miscellaneous		ISSUED BY Joanne Chung	
Address		City		State	Inspector Dist.		Parcel Number	LOT
11767 HARBOR BLVD		Garden Grove		CA	R8		23318202	
Address		City		State				
1030 GREYCLIFF AVE		LA PUENTE						
State Licence		Expires	City Licence		Expires	Valuation		
638729		N/A				\$10,000.00		
Contractor		Telephone		Zip	Final			
ROYAL CONSTRUCTION				91744	Inspector's Signature <i>M. Kere</i>			
Address		City		State	Date <u>1/7/10</u>			
1030 GREYCLIFF AVE		LA PUENTE						
State Licence		Expires	City Licence		Expires			
638729		N/A						
Floor Area(sq. ft.)		Residential/Commercial						
		Commercial						
Job Description INSTALL 3'X 3'SUMP PIT SUBMERSIBLE PUMP								
DECLARATION								
I certify that I have read this application/permit and state that the information on all pages of this document is correct. I agree to comply with all City and County ordinances and State laws relating to building construction, and hereby authorize representatives of this City and County to enter upon the above mentioned property for inspection purposes.								
<input checked="" type="checkbox"/> Applicant's Signature		<i>[Signature]</i>						
Print Name		ROSAJO CHUNG Date <u>11-18-09</u>						
		F E E S						
		Description		Quantity	Amount			
		General Plan Update Fee, Valuation			\$13.00			
		Cultural Arts Fee, Valuation			\$6.50			
		Building Permit Fee			\$198.00			
		One-Stop Permit Center Surcharge			\$3.96			
		Issuance Fee		1	\$35.00			
		BSASRF State Fee			\$1.00			
		Plan Check Fee			\$131.27			
		Water Plan Check		0.25	\$15.00			
		TOTAL			\$403.73			

This is a building permit when properly filled out, signed and validated, and is subject to expiration if work thereunder is suspended for 180 days.

Permit Type: BLDG

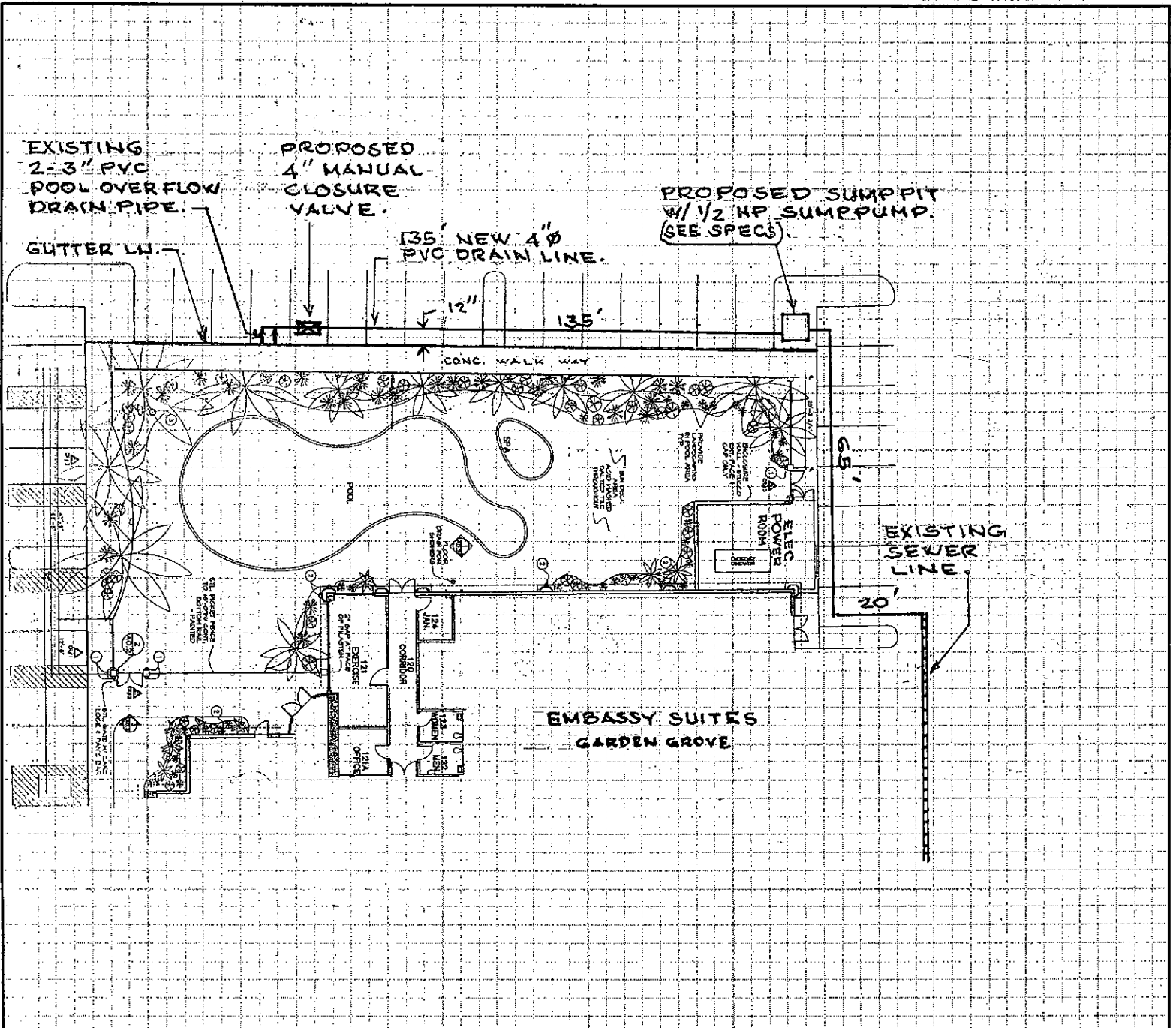
ORIGINAL

Plot Plan Form

Planning Action:	Zone:	Coverage:
Approved By:	Date:	Increase:
Remarks:		

Job Address: 11767 HARBOR blvd	Permit No.: 09-1842			
Assessor Parcel No.:	Tract & Lot #:			
Occupancy:	Const. Type:			
<input type="checkbox"/> New	<input type="checkbox"/> Alter	<input type="checkbox"/> Add	<input type="checkbox"/> Repair	<input type="checkbox"/> Demo

Job Description: Install sump pit submersible pump.



I certify the information hereon is complete & correct.

Owner's Name (print)

Signature (owner/agent)

11.18.09

Date



General Information: 714-741-5307

CITY OF GARDEN GROVE - DEVELOPMENT SERVICES DEPARTMENT

Inspection Requests: 714-741-5332

PERMIT (PAGE 2 of 2)

PROJECT/SITE/BUILDING DESCRIPTION

JOB Address : 6062 DUDMAN AVE
 Suite :
 PERMIT NO. : 49412
 Permit Type :
 Type : E

Owner : ROBERT W LATTA & LYND A L LATTA
 Applicant : OWNER
 Appl Address : 6062 DUDMAN AVE

Phone :

Insp Dist : F10
 Date : 09/07/99
 Parcel No : 13061407

PROPOSED WORK:

ELECTRICAL FOR REAR & FRONT ADDITION TO EXISTING RESIDENCE.

FEEES

942 22130 GENERAL PLAN	1	2.00
080 32550 CULTURAL ARTS	1	1.00
111 32401 Issuance	1	35.00
111 32412 Residential Sq. Ft.	553	27.63
111 32412 Hot Water Heaters	1	4.50
TOTAL		70.13

APPROVAL

DATE

INSPECTOR

INSPECTION RECORD

Underground _____
 Conduit _____
 Wiring - Rough 12-23-99 _____
 Heater _____
 Fixtures & Trim _____
 Motors _____
 Ufer _____
 Service 1-12-00 T.H _____

FINAL 9-18-99 _____
 Utility Notified 1-12-00 RH _____

AUTHORIZATION

Issued By: dianeb Date _____

DECLARATION

I certify that I have read this application/permit and state that the information on all pages of this document is correct. I agree to comply with all City and County ordinances and State laws relating to building construction, and hereby authorize representatives of this City and County to enter upon the above mentioned property for inspection purposes.

Applicant's Signature Lynda Latta

Print Name Lynda Latta Date 9-7-99

***** VALIDATION *****
 PAID ON 07 Sep 1999 AT 11:04
 RECEIVED BY LARAINEM 198.245.206.215/2 TRANS# 7
 AMOUNT PAID \$961.76 BY CHECK#104
 TOTAL PAID = \$961.76



General Information: 714-741-5307

CITY OF GARDEN GROVE - DEVELOPMENT SERVICES DEPARTMENT

Inspection Requests: 714-741-5332

PERMIT (PAGE 2 of 2)



PROJECT/SITE/BUILDING DESCRIPTION

JOB Address : 11767 HARBOR BLVD
 Suite :
 PERMIT NO. : 48414
 Permit Type : BUILDING
 Type : B10
 MASONRY FENCES
 Owner : GROVE AGCY / . CMNTY DE GARDEN
 Applicant : SUMMIT BUILDERS
 Appl Address : 3333 E CAMELBACK RD
 Phone : 602-840 7700
 Insp Dist : ZB
 Date : 07/07/99
 Parcel No : 23318301

Value : 41000
 Floor area : 6819

PROPOSED WORK:

6819SF RETAINING WALL

FEES

111 32509 Plan Check	1	377.08
111 32410 Permit	1	580.13
111 32401 ISSUANCE	1	35.00
942 22130 General Plan	1	49.41
080 32550 Cultural Arts	1	24.34
111 32410 Permit	1	133.00
TOTAL		1198.96

INSPECTION RECORD

APPROVAL	DATE	INSPECTOR
Pre Inspect		
Foundation		
Concrete Floor		
Reinforcing		
Masonry		
Roof Shtg		
Rough Frame		
Insul / Energy		
Drywall		
Lath		
Plas. Brown Ct.		
Landscaping		
Pre Gunite		
Pre Deck		
Pre Plaster		
Planning Final		
Bldg Final	7/7/99	<i>[Signature]</i>
Utility Notified		

*See also
Specs
Lump Reports*

AUTHORIZATION

Issued By: _____ Date: _____

DECLARATION

I certify that I have read this application/permit and state that the information on all pages of this document is correct. I agree to comply with all City and County ordinances and State laws relating to building construction, and hereby authorize representatives of this City and County to enter upon the above mentioned property for inspection purposes.

Applicant's Signature: *[Signature]*

Print Name: *Ben P. Anderson* Date: *7.7.99*

***** VALIDATION *****
 PAID ON 07 Jul 1999 AT 14:26
 RECEIVED BY CAROLH 198.245.206.215/2 TRANS# 133
 AMOUNT PAID \$1198.96 BY CHECK#0005267
 TOTAL PAID = \$1198.96



General Information: 714-741-5307

CITY OF GARDEN GROVE - DEVELOPMENT SERVICES DEPARTMENT

Inspection Requests: 714-741-5332

PERMIT (PAGE 2 of 2)

PROJECT/SITE/BUILDING DESCRIPTION

JOB Address : 11767 HARBOR BLVD
 Suite :
 PERMIT NO. : 48412
 Permit Type : GRADING
 Type : B20
 GRADING
 Owner : GROVE AGCY / . CMNTY DE GARDEN
 Applicant : SUMMIT BUILDERS
 Appl Address : 3333 E CAMELBACK RD
 Phone : 602-840 7700
 Insp Dist : ZB
 Date : 07/07/99
 Parcel No : 23318301

PROPOSED WORK:

GRADING PERMIT ✓

FEES

Value : 100
 Floor area :

111 32290 GRADING PERMIT	1	10420.25
TOTAL		10420.25

INSPECTION RECORD

APPROVAL	DATE	INSPECTOR
Pre Inspect		
Foundation		
Concrete Floor		
Reinforcing		
Masonry		SEE BOARD
Roof Shtg		
Rough Frame		CONF
Insul / Energy		
Drywall		
Lath		
Plas. Brown Ct.		
Landscaping		
Pre Gunite		
Pre Deck		
Pre Plaster		
Planning Final		
Bldg Final	2/2/00	
Utility Notified		

AUTHORIZATION

Issued By: diane Janet W Date _____

DECLARATION

I certify that I have read this application/permit and state that the information on all pages of this document is correct. I agree to comply with all City and County ordinances and State laws relating to building construction, and hereby authorize representatives of this City and County to enter upon the above mentioned property for inspection purposes.

Applicant's Signature: [Signature]
 Print Name: BEN P. ANDERSON Date: 7-7-99

***** VALIDATION *****
 PAID ON 07 Jul 1999 AT 14:25
 RECEIVED BY CAROLH 198.245.206.215/2 TRANS# 132
 AMOUNT PAID \$10420.25 BY CHECK#0005266
 TOTAL PAID = \$10420.25



HYGIENETECH

Hygiene Technologies International, Inc.

3625 Del Amo Boulevard, Suite 180
Torrance, California 90503-1643
(310) 370-8370
(310) 370-2474 FAX
www.hygienetech.com

June 15, 2001

RECEIVED

JUN 21 2001

NIELSEN DILLINGHAM
EMBASSY SUITES

Nielsen Dillingham Builders
3950 Paramount Boulevard, Suite 100
Lakewood, California 90712

Document No. 1010305.12

Attention: Roger Fruhwirth

Regarding: Clearance Sample Data
The Embassy Suites
11767 Harbor Boulevard, Garden Grove, California

Dear Mr. Fruhwirth:

On varying dates in March, April, May, and June 2001, Hygiene Technologies International, Inc. industrial hygienists have visited the Embassy Suites located at the above-referenced address for the purposes of conducting fungal growth abatement clearance surveys. Prior to those surveys, fungal growth abatement work involving the removal of contaminated gypsum board walls has been performed in different guest rooms, corridors, mechanical rooms, and other areas. Following wall demolition work, wall interior surfaces are vacuumed using equipment having high efficiency particulate air filtration (HEPA), cleaned with abrasive sponges, treated with a biocide, followed by additional HEPA-vacuuming, and encapsulation of exposed surfaces with a biocide-based paint. All demolition and abatement work has been performed under controlled conditions designed to minimize dispersion of building material dusts and fungi into the air. The engineering controls included the use of 6-mil polyethylene plastic enclosures in which HEPA air filtration machines have been used during all demolition operations.

During the post-abatement inspection of the work area, all surfaces appeared suitably decontaminated and encapsulated. Following the HygieneTech visual inspection, air samples for total (viable and nonviable) fungi (yeasts and molds) analyses were collected within the enclosed work areas, as well as outside of the building on each of the survey dates. All such air samples were collected using Zefon brand air-sampling pumps equipped with Zefon Air-O-Cell cassettes. In order to determine fungal growth potentials on surfaces, tapelift samples were collected using Scotch[®] Brand cellophane tape segments affixed to microscope slides. Each was later viewed under a light microscope by a licensed clinical laboratory microbiologist certified in pollen and mold spore counting by the American Academy of Allergy and Immunology at a laboratory accredited by the American Industrial Hygiene Association through successful participation in the Environmental Microbiology Proficiency Analytical Testing Program.

The successful *clearance* criteria used on this project are 1) the distribution of airborne fungal species detected indoors generally match those found outdoors; 2) the overall airborne spores counts are well within the expected range of 30 to 80 percent of outdoor levels; and 3) no evidence of fungal growth on

Mr. Roger Fruhwirth

June 15, 2001

Document No. 1010305.12

Page 2



surfaces. Clearance in the following areas on the subject property was achieved and notification to that effect was provided to your representatives verbally.

On March 13, 2001, clearance was achieved in the roof-level mechanical room located above the service elevator at the southwestern corner of building.

As of March 20, 2001, clearance had been achieved in the first floor boiler Room, telephone room, and emergency electrical room; the roof service elevator mechanical room; second floor Units 201, 202, 203, 204, 205, 206, 207, 208, 209, 210, 211, 212, 215, 216, 217, 218, 220, 221, 222, 223, 224, 226, 227, 228, 229, 230, 231, and 232; and third floor Units 301, 302, 303, 304, 305, 306, 307, 309, 310, 311, 312, 314, 315, 316, 317, 319, 320, 322, 323, 324, 325, 326, 327, 328, 329, 330, 331, and 332.

As of March 23, 2001, clearance had been achieved in the first floor emergency electrical room, the main electrical room, and the laundry room office; second floor Unit 225 and the northwestern staircase; third floor Units 308, 313, and 318, and the northwestern electrical room; fourth floor Units 401, 402, 403, 404, 405, 406, 407, 408, 409, 410, 411, 412, 417, 418, 419, 422, 423, and 429, and the northwestern staircase; and the fifth floor Units 503 and 504.

As of March 28, 2001, clearance had been achieved in the first floor south side of the atrium, southwestern corridor area, Game Room, Bellman's Storage Room, and atrium area north of restrooms; second floor northwestern corridor; third floor Units 321 and the southwestern Vending Room; fourth floor Units 413, 414, 415, 416, 424, 425, 426, 427, 428, 430, 431, and 432; fifth floor Units 502, 505, 506, 507, 508, 509, 510, 511, 513, 515, 517, 518, 519, 522, 523, 524, 526, 527, 529, and 531; and sixth floor Units 602 and 603.

As of April 2, 2001, clearance had been achieved in the northwestern electrical room located on the roof; first floor TV/CPU room, sales room, and administration room; third floor southwestern electrical room; fourth floor Units 420 and 421, and the northwestern electrical room and corridor, and the southwestern electrical and vending rooms; fifth floor Units 501, 512, 514, 516, 520, 521, 525, and 530 and the southwestern vending and electrical rooms; sixth floor Units 601, 604, 605, 606, 607, 608, 609, 611, 612, 613, 614, 615, 616, 617, 618, 619, 620, 621, 622, 623, 624, 625, 626, 627, 628, 629, 630 and 631 and the northwestern corridor and southwestern vending room and electrical room; seventh floor Units 701, 702, 703, 704, 705, 706, 707, 709, 710, 711, 712, and 713.

As of May 15, 2001, clearance has been achieved in first floor areas 173 (Administration Room), 172 (Phone Room), 171 (Gift Shop), 104 (Lounge), 160 (western alcove), 170 (eastern alcove), 164 (Board Room), 165 (Board Room), 166 (Board Room), 189 (Janitor Closet), 188 (Banquet Storage), 159 (office), 187 (electrical), 181 (Conference Room), 184 (Fire Pump Room), 152 (Bar/Breakfast), Computer Room (west of Room 173), northeastern corner area outside 166 (Board Room) and the atrium area west of restrooms 162 and 163.

As of May 31, 2001, clearance had been achieved in the third floor northwestern staircase and corridor; fifth floor northwestern hallway, staircase and electrical room; sixth floor Unit 610 and northwestern electrical room; seventh floor Units 714, 717, 718, 719, 722, 723, 724, 725, 726, 727, 728, 729, 730, 731 and the northwestern electrical room and corridor, and the southwestern electrical and vending rooms; eighth floor Units 801, 802, 803, 804, 805, 806 and 807.



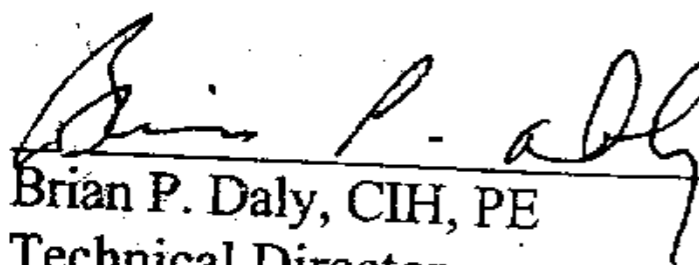
As of June 14, 2001, clearance had been achieved in the second floor Units 213, 214 and 219; seventh floor Units 708, 715, 716, 720, and 721; eighth floor Units 808, 809, 810, 811, 812, 813, 814, 815, 816, 817, 818, 819, 820, 821, 822, 823, 824, 825, 826, 827, 828, 829, 830, 831, and the northwestern electrical room, corridor and staircase, and the southwestern electrical and vending rooms; ninth floor Units 901, 902, 903, 904, 905, 906, 907, 908, 909, 910, 911, 912, 913, 914, 915, 916, 917, 918, 919, 920, 921, 922, 923, 924, 925, 926, 927, 928, 929, 930, 931, and the northwestern electrical room, corridor and staircase, and the southwestern electrical and vending rooms; tenth floor Units 1001, 1002, 1003, 1004, 1005, 1006, 1007, 1008, 1009, 1010, 1011, 1012, 1013, 1014, 1015, 1016, 1017, 1018, 1019, 1020, 1021, 1022, 1023, 1024, 1025, 1026, 1027, 1028, 1029, 1030, 1031, and the northwestern electrical room, corridor and staircase, and the southwestern electrical and vending rooms, and the southeastern staircase; eleventh floor Units 1101, 1102, 1103, 1104, 1105, 1106, 1107, 1108, 1109, 1110, 1111, 1112, 1113, 1114, 1115, 1116, 1117, 1118, 1119, 1120, 1121, 1122, 1123, 1124, 1125, 1126, 1127, 1128, 1129, 1130, 1131, and the northwestern electrical room, corridor and staircase, and the southwestern electrical and vending rooms, and the southeastern staircase; twelfth floor Units 1201, 1202, 1203, 1204, 1205, 1206, 1207, 1208, 1209, 1210, 1211, 1212, 1213, 1214, 1215, 1216, 1217, 1218, 1219, 1220, 1221, 1222, 1223, 1224, 1225, 1226, 1227, 1228, 1229, 1230, 1231, and northwestern electrical room, and corridor, and southwestern electrical and vending rooms, and southeastern staircase; thirteenth floor Units 1301, 1302, 1303, 1304, 1305, 1306, 1307, 1308, 1309, 1310, 1311, 1312, 1313, 1314, 1315, 1316, 1317, 1320, 1321, 1327, 1328, and the northwestern electrical room and staircase, and the southwestern vending room, and the southeastern staircase; the northern, southern, eastern and western roof mezzanine areas, and the northeastern elevator mechanical room.

Be advised that the data provided with this correspondence only represent fungal growth and airborne spore count exposure potentials that existed at the times the clearance surveys were performed. Growth and exposure potentials may change due to changes in environmental conditions, mechanical systems, work activities, or other factors. Also be advised that exposure data recorded during these surveys may not be sufficiently broad to adequately assess the suitability of the indoor air quality for all individuals, particularly those who are extremely sensitive to certain chemical and/or biological substances or for those individuals with immune system deficiencies. If persons entering the subject building persistently experience non-specific ill effects, such as eye irritation, allergy symptoms, headache, or skin rash, then those affected should be referred to a medical professional in order to determine or specify the possible cause(s) of such reactions. If additional information becomes known, then additional monitoring may be warranted.

If you have any comments or questions regarding the information contained in this correspondence, or if you require additional service, please feel free to contact me directly at (310) 370-8370.

Sincerely,

HYGIENE TECHNOLOGIES INTERNATIONAL, INC.


Brian P. Daly, CIH, PE
Technical Director

HYGIENE TECHNOLOGIES INTERNATIONAL, INC.

APPENDIX A



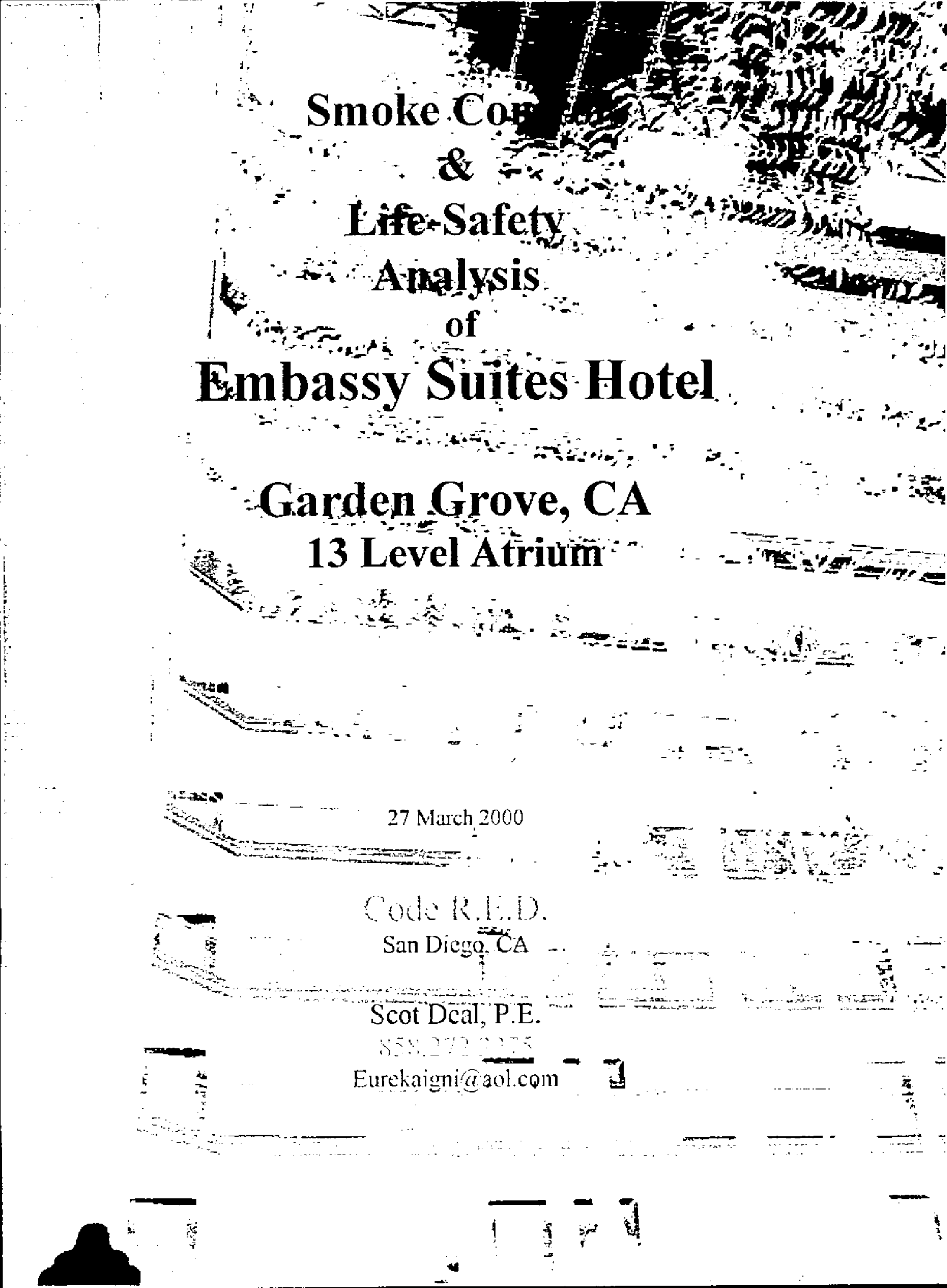
CLIENT: Nielsen Dillingham Builders
3950 Paramount Boulevard, Suite 100
Lakewood, California 90712

TABLE 1010305-4
AIRBORNE TOTAL FUNGI RESULTS
CLEARANCE
EMBASSY SUITES
11767 HARBOR BOULEVARD
GARDEN GROVE, CALIFORNIA
MARCH, 2001

Page 1

Results reported in spores per cubic meter of air (spores/M³)

SAMPLE NUMBER	1010225-TMC-01	1010226-TMC-02	1010228-TMC-03	1010229-TMC-04
SAMPLING LOCATION/ACTIVITIES	Room southwest corner elevator room, about center, approximately 60' above roof/Post abatement sampling activities only	Room 201, within containment living room, about center, approximately 48' above floor/Post abatement sampling activities only	Room 201, within containment, bedroom, about center, approximately 48' above floor/Post abatement sampling activities only	Room southwest corner elevator room, about center, approximately 60' above roof/Post abatement sampling activities only
DATE	03-09-01	03-10-01	03-10-01	03-12-01
START/STOP	14:31:45/14:36:45	14:05:30/14:10:30	11:19:40/11:24:40	13:31:50/13:36:50
SAMPLE TIME	5 minutes	5 minutes	5 minutes	5 minutes
Alternaria				
Arthrinium				
Ascospores				107
Aureobasidium pullulans				
Basidiospores	587	480	53	160
Bipolaris/Drechslera group				
Botrytis				
Chaetomium				
Cladosporium	640		53	240
Curvularia				
Epicoccum	13			
Fusarium				
Memnoniella				
Myrothecium				
Nigrospora				
Other colorless				
Penicillium/Aspergillus types	533	53		507
Pithomyces				
Rusts				
Smuts, Periconia, Myxomycetes				
Stachybotrys chartarum (atra)				
Stemphylium				
Torula herbarum				
Trichoderma				
Ulocladium				13
Zygomycetes (possible)				
TOTAL	1,773	533	106	1,027



Smoke Cor
&
Life-Safety
Analysis
of
Embassy Suites Hotel

Garden Grove, CA
13 Level Atrium

27 March 2000

Code R.E.D.
San Diego, CA

Scot Deal, P.E.
858.272.2275
Eurekaigni@aol.com

**CITY OF GARDEN GROVE
DEPARTMENT OF BUILDING AND SAFETY
ENGINEER'S CERTIFICATE OF COMPLIANCE FOR STRUCTURAL AND EARTHWORK
OBSERVATIONS**

LOCATION OF INSPECTION: Embassy Suites Hotel
PROJECT ADDRESS: 11767 Harbor Boulevard
TESTING AND INSPECTION AGENCY: Krazan & Associates, Inc.
PROPERTY OWNER'S NAME: Landmark Companies, LLC
OWNER'S ADDRESS: 450 Newport Center Drive, Suite 480
Newport Beach, CA 92660
PER REPORT ON OUR PROJECT NO: 026-98070

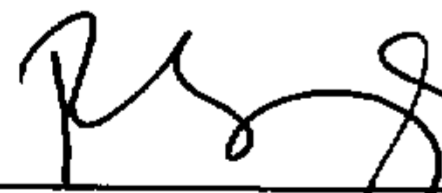
DATE PROJECT STARTED: April 15, 1999
DATE PROJECT COMPLETED: October 9, 2001
DATE OF THIS CERTIFICATE: October 11, 2001

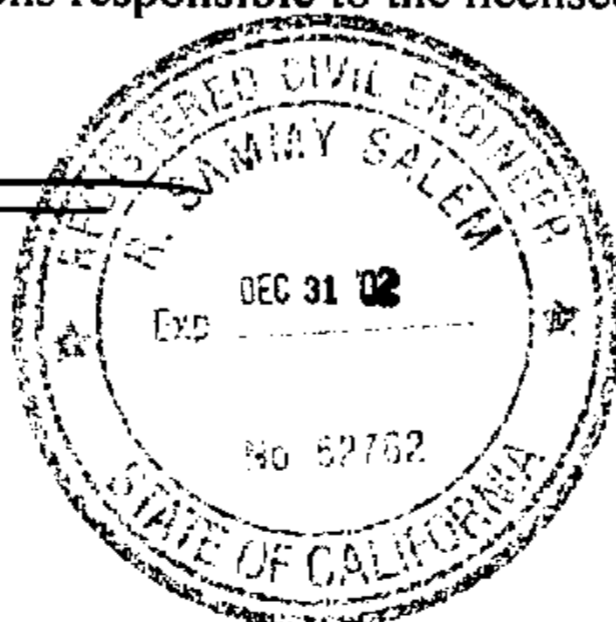
TO THE SUPERINTENDENT OF BUILDING:

* I hereby certify that I have personally observed and tested the items listed below for the above subject property, and on the basis of those observations and tests, it is my opinion that the same was placed in conformity with the requirements of the City of Garden Grove, and the CALIFORNIA BUILDING CODE.

- **EARTHWORK** (*Building Pad, Aggregate Base, Subgrade, Water & Sewer Trenches, Utility Trenches, Retaining Wall, Curb & Gutter, Asphalt, Parking Lot, Drive Approach.*)
- **SPECIAL INSPECTIONS** (*Concrete, Masonry, Reinforcing Steel, Structural Steel, Fireproofing, and Post-Tension.*)

* For the purpose of this Certificate, to "have personally observed and tested" shall include observation and testing performed by any person or persons responsible to the licensed engineer signing this certificate.


R. Sammy Salem, P.E.
RCE No. 52762
Regional Manager





**GEOTECHNICAL ENGINEERING INVESTIGATION
PROPOSED EMBASSY SUITES HOTEL
HARBOR BOULEVARD AND CHAPMAN AVENUE
GARDEN GROVE, CALIFORNIA**

**PROJECT NO. 022-98070
JUNE 18, 1998**

Prepared for:

**MR. KEN HASSETT
VICE-PRESIDENT
LANDMARK COMPANIES
450 NEWPORT CENTER DRIVE, SUITE 480
NEWPORT BEACH, CALIFORNIA 92660**

Prepared by:

**KRAZAN & ASSOCIATES, INC.
GEOTECHNICAL ENGINEERING DIVISION
4231 FOSTER AVENUE
BAKERSFIELD, CALIFORNIA 93308
(805) 633-2200**

 **Krazan** & ASSOCIATES, INC.

GEOTECHNICAL ENGINEERING • ENVIRONMENTAL ENGINEERING
CONSTRUCTION TESTING AND INSPECTION



General Information: 714-741-5307

CITY OF GARDEN GROVE - DEVELOPMENT SERVICES DEPARTMENT

Inspection Requests: 714-741-5332

PERMIT (PAGE 2 of 2)

PROJECT/SITE/BUILDING DESCRIPTION

JOB Address : 11767 HARBOR BLVD
 Suite :
 PERMIT NO. : 51358
 Permit Type : BUILDING
 Type : B3
 COMMERCIAL BUILDING
 Owner : LANDMARK CO. LLC
 Applicant : NEILSON DILLINGHAM
 Appl Address : 1500 W. CARSON ST # 100
 LONG BEACH, CA 90810
 Phone : 310 952-8880

Insp Dist : ZB
 Date : 02/14/00
 Parcel No : 23318301

Value : 33000000
 Floor area : 321517

PROPOSED WORK:

NEW (14) STORY HOTEL (EMBASSY SUITES). ✓

FEES

111 32509 Plan Check	1	76994.99
111 32410 Permit	1	118453.82
111 32401 issuance	1	35.00
111 32435 Strong Motion Fee (C	1	6630.32
942 22130 General Plan	1	38693.84
080 32550 Cultural Arts	1	19058.16
080 32542 ART IN PUBLIC PLACES	1	18500.00
111 32401 PERMIT ISSUANCE CRED	1	278366.13
TOTAL		0.00

INSPECTION RECORD

APPROVAL	DATE	INSPECTOR
Pre Inspect		
Foundation		
Concrete Floor		
Reinforcing		
Masonry		
Roof Shtg		
Rough Frame		
Insul / Energy		
Drywall		
Lath		
Plas. Brown Ct.		
Landscaping		
Pre Gunit		
Pre Deck		
Pre Plaster		
Planning Final		
Bldg Final	12/5/02	<i>[Signature]</i>
Utility Notified		

Handwritten notes: LOP: Ref. SPECIAL WSP Reports.

AUTHORIZATION

Issued By: _____ Date _____

DECLARATION

I certify that I have read this application/permit and state that the information on all pages of this document is correct. I agree to comply with all City and County ordinances and State laws relating to building construction, and hereby authorize representatives of this City and County to enter upon the above mentioned property for inspection purposes.

Applicant's Signature _____

Print Name _____ Date _____

City of Garden Grove
Community Development Department

(TEMPORARY)
Certificate of Occupancy

The building (or portion thereof) described below has been inspected for compliance with the requirements of the applicable codes and ordinances for the group and division of occupancy and the use for which the proposed occupancy is classified.

BUILDING / SITE INFORMATION

51358

Building Address: 11767 Harbor Blvd. Permit No. ~~51388~~

Use of Building: Hotel/Conference Use Zone: H-1

Occupancy: R-1, A2.1 Type of Construction: Type I Sprinklered: Yes

Description of the portion of the building for which the Certificate is issued:

New 13-story, 375 suite hotel and conference facility (Embassy Suites)

OWNER INFORMATION

Owner's Name: Landmark Hotels

Street Address: 450 Newport Center Drive, Suite 480

City: Newport Beach State: CA Zip: 92660

CLEARANCES

Building Div. Approval: [Signature] Date: 10/29/01

Planning Div. Approval: [Signature] Date: 10-18-01

Engineering Div. Approval: [Signature] Date: 10/30/01

Fire Dept. Approval: [Signature] Date: 10-30-01

ADVISEMENT

Issuance of a Certificate of Occupancy shall not be construed as an approval of a violation of the provisions of the applicable codes or other ordinances of this jurisdiction. Certificates resuming to give authority to violate or cancel the provisions of the applicable codes or other ordinances of this jurisdiction shall not be valid. This Certificate is revocable pursuant to Section 109.6, of the Uniform Building Code.

James A. Martin, Jr., C.B.O.
Building Services Manager [Signature] Date: 10/30/01

POST IN A CONSPICUOUS PLACE

**City of Garden Grove
Community Development Department**

Certificate of Occupancy

The building (or portion thereof) described below has been inspected for compliance with the requirements of the applicable codes and ordinances for the group and division of occupancy and the use for which the proposed occupancy is classified.

BUILDING / SITE INFORMATION

Building Address: 11767 Harbor Blvd. Permit No. 51358
Use of Building: Hotel/Conference Use Zone: H-1
Occupancy: R-1, A2.1 Type of Construction: Type I Sprinklered: Yes

Description of the portion of the building for which the Certificate is issued:

New 13-story, 375 suite hotel and conference facility (Embassy Suites)

OWNER INFORMATION

Owner's Name: Landmark Hotels
Street Address: 450 Newport Center Drive, Suite 480
City: Newport Beach State: CA Zip: 92660

CLEARANCES

Building Div. Approval: [Signature] Date: 12/5/02
Planning Div. Approval: Kal Hill Date: 12-12-02
Engineering Div. Approval: [Signature] Date: 12/5/02
Fire Dept. Approval: [Signature] Date: 12-10-02

ADVISEMENT

Issuance of a Certificate of Occupancy shall not be construed as an approval of a violation of the provisions of the applicable codes or other ordinances of this jurisdiction. Certificates resuming to give authority to violate or cancel the provisions of the applicable codes or other ordinances of this jurisdiction shall not be valid. This Certificate is revocable pursuant to Section 109.6, of the Uniform Building Code.

James A. Martin, Jr., C.B.O.
Building Services Manager

[Signature]

Date: Dec. 14, 2002

POST IN A CONSPICUOUS PLACE

JOB Address : 11767 HARBOR BLVD
 Suite :
 PERMIT NO. : 57091
 Permit Type : BUILDING
 Type : B21
 MISCELLANEOUS
 Owner : LANDMARK CO. LLC.
 Applicant : OWNER
 Appl Address : 11767 HARBOR BLVD
 Phone :
 Insp Dist :
 Date :
 Parcel No : 23318301

INTERIOR ROCKSCAPE AND VAULT ROOM

Value :10000
 Floor area :0

111 32509 Plan Check	1	144.40
111 32410 Permit	1	201.96
111 32401 issuance	1	35.00
942 22130 General Plan	1	13.07
080 32550 Cultural Arts	1	6.44
TOTAL		400.87

APPROVAL	DATE	INSPECTOR
Pre Inspect		
Foundation	10/29/01	[Signature]
Concrete Floor		
Reinforcing		
Masonry		
Roof Shtg		
Rough Frame		
Insul / Energy		
Drywall		
Lath		
Plas. Brown Ct.		
Landscaping		
Pre Gunit		
Pre Deck		
Pre Plaster		
Planning Final	10/29/01	[Signature]
Bldg Final	10/29/01	[Signature]
Utility Notified		

~~PLAN CHECK # BA 1524~~

THIS IS A PERMIT

EXPIRATION OF PLAN REVIEW. Applications for which no permit is issued within 180 days following the date of application shall expire by limitation, and plans and other data submitted for review may thereafter be returned to the applicant or destroyed by the building official. The building official may extend the time for action by the applicant for a period not exceeding 180 days on request by the applicant showing that circumstances beyond the control of the applicant have prevented action from being taken. No application shall be extended more than once. In order to renew action on an application after expiration, the applicant shall resubmit plans and pay a new plan review fee.

***** VALIDATION *****
 PAID ON 05 Apr 2001 AT 12:35
 RECEIVED BY LARAINEM 198.245.206.215/2 TRANS# 106
 AMOUNT PAID \$400.87 BY CHECK#002074
 TOTAL PAID = \$400.87



General Information: 714-741-5307

CITY OF GARDEN GROVE - DEVELOPMENT SERVICES DEPARTMENT

Inspection Requests: 714-741-5332

PERMIT (PAGE 2 of 2)

PROJECT/SITE/BUILDING DESCRIPTION

JOB Address : 11767 HARBOR BLVD
 Suite :
 PERMIT NO. : 51016
 Permit Type :
 Type : P

Owner : TOGNAZZINI TERRY GARDEN GROVE
 Applicant : BALI CONSTRUCTION INC
 Appl Address : 9630 FERN
 EL MONTE, CA 91733
 Phone : 626 442-8003

Insp Dist : ZP
 Date : 01/06/00
 Parcel No : 23318301

PROPOSED WORK:

RE-ROUTE EXISTING SEWER LINE.

FEES

942 22130 GENERAL PLAN	1	2.00
080 32550 CULTURAL ARTS	1	1.00
111 32401 Issuance	1	35.00
111 32415 Bldg Sewer (first 10	1	25.00
111 32415 Bldg Sewer (add'l 10	2	15.00
TOTAL		78.00

APPROVAL	DATE	INSPECTOR
Soil Piping		
Ground Plumbing		
Rough Plumbing		
Gas Piping		
Gas Vent		
Sewer		
Main Drain		
Vacuum Lines		
Water Heater		
Backwash		
Water Lateral		

EXPIRED

Utility Notified 5/1/03

***** VALIDATION *****
 PAID ON 06 Jan 2000 AT 08:39
 RECEIVED BY KRISTINE 198.245.206.215/2 TRANS# 8
 AMOUNT PAID \$78.00 BY CHECK#11657
 TOTAL PAID = \$78.00

AUTHORIZATION

Issued By: dianeb Date _____

DECLARATION

I certify that I have read this application/permit and state that the information on all pages of this document is correct. I agree to comply with all City and County ordinances and State laws relating to building construction, and hereby authorize representatives of this City and County to enter upon the above mentioned property for inspection purposes.

Applicant's Signature [Signature]

Print Name CHRISTOPHER RAMOS Date 1-6-00



General Information: 714-741-5307

CITY OF GARDEN GROVE - DEVELOPMENT SERVICES DEPARTMENT

Inspection Requests: 714-741-5332

PERMIT (PAGE 2 of 2)

PROJECT/SITE/BUILDING DESCRIPTION

JOB Address : 11767 HARBOR BLVD
 Suite :
 PERMIT NO. : 64700
 Permit Type :
 Type : E

Owner : TOGNAZZINI TERRY GARDEN GROVE
 Applicant : TEMP POWER SYSTEMS, INC.
 Appl Address : 1111 NORTH TUSTIN AVENUE
 ANAHEIM, CA 92806
 Phone : 800 748 6997

Insp Dist : ZE
 Date : 10/23/02
 Parcel No : 23318301

PROPOSED WORK:

TEMP POWER POLE, (1) SUB POLE, 50KVA TRANS,
(2) 100A DISCONNECTS & SUBPANEL.

FEEES

942 22130 GENERAL PLAN	1	2.00
080 32550 CULTURAL ARTS	1	1.00
111 32401 Issuance	1	35.00
111 32412 Temporary Power Pole	1	35.00
111 32412 TEMP POWER POLE/ADDL	1	15.00
111 32412 SUB-PANEL	1	20.00
111 32412 PWR APPOR 10-50 HP	1	25.00
TOTAL		133.00

APPROVAL DATE INSPECTOR

Underground _____
 Conduit _____
 Wiring - Rough _____
 Heater _____
 Fixtures & Trim _____
 Motors _____
 Ufer _____
 Service 10-28-02 T.H.

FINAL 10-31-02 T.H.

Utility Notified 10-30-02

***** VALIDATION *****
 PAID ON 23 Oct 2002 AT 10:29
 RECEIVED BY LARAINEM 198.245.206.215/2 TRANS# 3
 AMOUNT PAID \$133.00 BY CHECK#21924
 TOTAL PAID = \$133.00

AUTHORIZATION

Issued By: jimc Date _____

DECLARATION

I certify that I have read this application/permit and state that the information on all pages of this document is correct. I agree to comply with all City and County ordinances and State laws relating to building construction, and hereby authorize representatives of this City and County to enter upon the above mentioned property for inspection purposes.

Applicant's Signature Justin Jordan

Print Name JUSTIN JORDAN Date 10/23/02



General Information: 714-741-5307

CITY OF GARDEN GROVE - DEVELOPMENT SERVICES DEPARTMENT

Inspection Requests: 714-741-5332

PERMIT (PAGE 2 of 2)

PROJECT/SITE/BUILDING DESCRIPTION

JOB Address : 11767 HARBOR BLVD
 Suite : 1/2
 PERMIT NO. : 60382
 Permit Type :
 Type : E

Owner : TOGNAZZINI TERRY GARDEN GROVE
 Applicant : TEMP POWER SYSTEMS, INC.
 Appl Address : 1111 NORTH TUSTIN AVENUE
 ANAHEIM, CA 92806
 Phone : 800 748 6997

Insp Dist : ZE
 Date : 12/05/01
 Parcel No : 23318301

PROPOSED WORK:

TEMPORARY POWER POLE

FEES

942 22130	GENERAL PLAN	1	2.00
080 32550	CULTURAL ARTS	1	1.00
111 32401	Issuance	1	35.00
111 32412	Temporary Power Pole	1	35.00
111 32412	TEMP POWER POLE/ADDL	1	15.00
111 32412	Pole, Power, Light, etc	6	33.00
111 32412	pwr appar not over o	1	6.50
TOTAL			127.50

APPROVAL	DATE	INSPECTOR
Underground		
Conduit		
Wiring - Rough		
Heater		
Fixtures & Trim		
Motors		
Ufer		
Service	12-6-01	T.H.
FINAL	12-6-01	T.H.

Utility Notified 12-12-01

AUTHORIZATION

Issued By: janetw Date _____

DECLARATION

I certify that I have read this application/permit and state that the information on all pages of this document is correct. I agree to comply with all City and County ordinances and State laws relating to building construction, and hereby authorize representatives of this City and County to enter upon the above mentioned property for inspection purposes.

Applicant's Signature [Signature]

Print Name Lyle C. [Signature] Date 12 5 2001

***** VALIDATION *****
 PAID ON 05 Dec 2001 AT 16:38
 RECEIVED BY LARAINEM 198.245.206.215/2 TRANS# 145
 AMOUNT PAID \$239.50 BY CHECK#24330
 TOTAL PAID = \$239.50

CHAPMAN AVE

HYATT

HARBOR BLVD

EDISON TRANSFORMER
#5444284
2771480 3PH

EMBASSY SUITES

208 UNIT 2771000
11761 1/2 HARBOR BLVD

25' DIA. OF 310 CU 3 PH RISER

307' B.D.

270 DIA. AT
3PH 480

75 RGN R/D
BY 200 AMP
DISCONNECT

400 AMP DISCONNECT
BY 225 AMP FUSES

25' B.D.

25' B.D.

25' B.D.

25' B.D.

25' B.D.

25' B.D.

25' B.D.

25' B.D.

25' B.D.

25' B.D.

25' B.D.

APPRESENTATION
Embassy Suites
Hilverson





General Information: 714-741-5307

CITY OF GARDEN GROVE - DEVELOPMENT SERVICES DEPARTMENT

Inspection Requests: 714-741-5332

PERMIT (PAGE 2 of 2)

PROJECT/SITE/BUILDING DESCRIPTION

JOB Address : 11767 HARBOR BLVD
 Suite :
 PERMIT NO. : 52962
 Permit Type :
 Type : P

Owner : LANDMARK CO LLC
 Applicant : A O REED & CO
 Appl Address : 4777 RUFFNER ST
 SAN DIEGO, CA 92111
 Phone : 858 565 4131

Insp Dist : ZP
 Date : 11/30/00
 Parcel No : 23318301

PROPOSED WORK:

EMBASSY SUITES

FEES

942 22130	GENERAL PLAN	1	2.00
080 32550	CULTURAL ARTS	1	1.00
111 32401	Issuance	1	35.00
111 32415	WATER CLOSET, BIDET	389	3306.50
111 32415	Bath Tub	376	3196.00
111 32415	Lavatory	386	3281.00
111 32415	Kitchen Sink	4	34.00
111 32415	Laundry Tub or Tray	4	34.00
111 32415	Water Heater	2	17.00
111 32415	Floor Sink	18	153.00
111 32415	Floor Drain	8	68.00
111 32415	Dish Washer	1	8.50
111 32415	PLBG FIXTURE NOT LIS	4	34.00
111 32415	Urinal	5	42.50
111 32415	Gas Syst. Outl. (up	3	28.50
111 32415	Bldg Sewer (first 10	1	25.00
111 32415	Bldg Sewer (add'l 10	20	150.00
111 32415	GREASE/SAND TRAPS	20	300.00
111 32415	RAINWATER SYSTEM PER	22	187.00
111 32415	SWIM-POOL PIPING & F	1	40.00
111 32415	Automatic Wash Machi	3	25.50
111 32415	PLBG FIXTURE NOT LIS	2	17.00
111 32415	Water Piping (ea. 10	20	500.00
111 32501	PLAN CHECK (\$60.00 M	1	9730.38
TOTAL			21215.88

INSPECTION RECORD

APPROVAL	DATE	INSPECTOR
Soil Piping		
Ground Plumbing		
Rough Plumbing		
Gas Piping		
Gas Vent		
Sewer		
Main Drain		
Vacuum Lines		
Water Heater		
Backwash		
Water Lateral		

FINAL 1.14.02 Angon

Utility Notified _____

AUTHORIZATION

Issued By: janetw Date _____

DECLARATION

I certify that I have read this application/permit and state that the information on all pages of this document is correct. I agree to comply with all City and County ordinances and State laws relating to building instruction, and hereby authorize representatives of this City and County to enter upon the above mentioned property for inspection purposes.

Applicant's Signature _____

Print Name _____ Date _____

***** VALIDATION *****
 PAID ON 30 Nov 2000 AT 14:42
 RECEIVED BY LARAINEM 198.245.206.215/2 TRANS# 102
 AMOUNT PAID \$52297.05 BY CHECK#0048912
 TOTAL PAID = \$52297.05



General Information: 714-741-5307

CITY OF GARDEN GROVE - DEVELOPMENT SERVICES DEPARTMENT

Inspection Requests: 714-741-5332

PERMIT (PAGE 2 of 2)

PROJECT/SITE/BUILDING DESCRIPTION

PROPOSED WORK:

JOB Address : 11767 HARBOR BLVD
 Suite :
 PERMIT NO. : 52962
 Permit Type :
 Type : P

Owner : LANDMARK CO LLC
 Applicant : A O REED & CO
 Appl Address : 4777 RUFFNER ST
 SAN DIEGO, CA 92111
 Phone : 858 565 4131

Insp Dist : ZP
 Date : 06/02/00
 Parcel No : 23318301

EMBASSY SUITES

FEES

942 22130	GENERAL PLAN	1	2.00
080 32550	CULTURAL ARTS	1	1.00
111 32401	Issuance	1	35.00
111 32415	WATER CLOSET, BIDET	389	3306.50
111 32415	Bath Tub	376	3196.00
111 32415	Lavatory	386	3281.00
111 32415	Kitchen Sink	4	34.00
111 32415	Laundry Tub or Tray	4	34.00
111 32415	Water Heater	2	17.00
111 32415	Floor Sink	18	153.00
111 32415	Floor Drain	8	68.00
111 32415	Dish Washer	1	8.50
111 32415	PLBG FIXTURE NOT LIS	4	34.00
111 32415	Urinal	5	42.50
111 32415	Gas Syst. Outl. (up	3	28.50
111 32415	Bldg Sewer (first 10	1	25.00
111 32415	Bldg Sewer (add'l 10	20	150.00
111 32415	GREASE/SAND TRAPS	20	300.00
111 32415	RAINWATER SYSTEM PER	22	187.00
111 32415	SWIM-POOL PIPING & F	1	40.00
111 32415	Automatic Wash Machi	3	25.50
111 32415	PLBG FIXTURE NOT LIS	2	17.00
111 32415	Water Piping (ea. 10	20	500.00
111 32501	PLAN CHECK (\$60.00 M	1	9730.38
TOTAL			21215.88

APPROVAL	DATE	INSPECTOR
Soil Piping		
Ground Plumbing		
Rough Plumbing		
Gas Piping		
Gas Vent		
Sewer		
Main Drain		
Vacuum Lines		
Water Heater		
Backwash		
Water Lateral		

INSPECTION RECORD

FINAL 1.14.02 Amor

Utility Notified _____

Permit Fee unpaid
 until after July 1 2000
 Perkin Martin
 J. Wheeler

AUTHORIZATION

Issued By: _____ Date _____

DECLARATION

I certify that I have read this application/permit and state that the information on all pages of this document is correct. I agree to comply with all City and County ordinances and State laws relating to building construction, and hereby authorize representatives of this City and County to enter upon the above mentioned property for inspection purposes.

Applicant's Signature Bryan Fulham

Print Name BRYAN FULHAM Date 20 JUN 00



MAIN OFFICE: 4777 RUFFNER ST. AT ENGINEER RD. • P.O. BOX 85226 • SAN DIEGO, CA 92186-5226
PHONE (858) 565-4131 • FAX (858) 292-6958

MECHANICAL CONTRACTOR Contractor's License No. 7731

June 19, 2000

CITY OF GARDEN GROVE
11222 Acacia Parkway
P.O. Box 3070
Garden Grove, CA 92842

Fax: 714-741-5578

Attention: James A. Martin, Building Services Manager

Bryan Fulgham is authorized to sign for permits on behalf of A.O. Reed & Co.

Sincerely,

A.O. Reed & Co.

A handwritten signature in black ink, appearing to read "Clyde C. Blyleven", with a long horizontal flourish extending to the right.

Clyde C. Blyleven
Executive Vice President and CFO

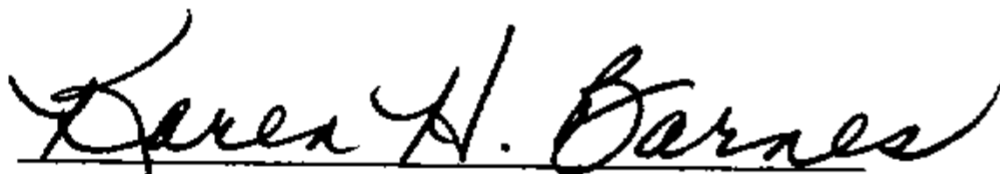
ALL PURPOSE ACKNOWLEDGMENT

State of California)

County of San Diego)

On June 19, 2000, before me, Karen H. Barnes, Notary Public, personally appeared Clyde C. Blyleven, Executive Vice President and CFO of A.O. Reed & Co. personally known to me to be the person whose name is subscribed to the within instrument and acknowledged to me that he executed the same in his authorized capacity, and that by his signature on the instrument the person, or the entity upon behalf of which the person acted, executed the instrument.

WITNESS my hand and official seal.


Karen H. Barnes



My Commission Expires: December 22, 2001



General Information: 714-741-5307

CITY OF GARDEN GROVE - DEVELOPMENT SERVICES DEPARTMENT

Inspection Requests: 714-741-5332

PERMIT (PAGE 2 of 2)

PROJECT/SITE/BUILDING DESCRIPTION

JOB Address : 11767 HARBOR BLVD
 Suite :
 PERMIT NO. : 52963
 Permit Type :
 Type : H

Owner : LANDMARK CO LLC
 Applicant : A O REED & CO
 Appl Address : 4777 RUFFNER ST
 SAN DIEGO, CA 92111
 Phone : 858 565 4131

Insp Dist : ZH
 Date : 11/30/00
 Parcel No : 23318301

PROPOSED WORK:

EMBASSY SUITES

FEES

942 22130 GENERAL PLAN	1	2.00
080 32550 CULTURAL ARTS	1	1.00
111 32401 Issuance	1	35.00
111 32418 SEP VENT SYSTEM(RANG	2	24.00
111 32418 REPAIR,ALTR COOL/HEA	3	54.00
111 32418 EVAPORATIVE COOLER	1	13.00
111 32418 AIR HANDLING TO 2,00	426	5538.00
111 32418 Install Appliance Ve	29	348.00
111 32418 HEAT PUMPS TO 100,00	2	20.00
111 32418 APP/EQUIP NOT MENTIO	2	26.00
111 32503 PLAN CHECK (\$60.00 M	1	5119.55
TOTAL		11180.55

APPROVAL DATE INSPECTOR

INSPECTION RECORD

Furnace _____
 Furnace Vents _____
 Gas Piping _____
 Ducts _____
 Duct Fan Vent _____
 Kitchen Hood _____
 Air Handl Unit _____
 Evap Cooler _____
 Boiler Comp _____
 Decor Appl _____

FINAL 1.14.02 Angover
 Utility Notified _____

AUTHORIZATION

Issued By: janetw Date _____

DECLARATION

I certify that I have read this application/permit and state that the information on all pages of this document is correct. I agree to comply with all City and County ordinances and State laws relating to building construction, and hereby authorize representatives of this City and County to enter upon the above mentioned property for inspection purposes.

Applicant's Signature _____

Print Name _____ Date _____

***** VALIDATION *****
 PAID ON 30 Nov 2000 AT 14:42
 RECEIVED BY LARAINEM 198.245.206.215/2 TRANS# 100
 AMOUNT PAID \$52297.05 BY CHECK#0048912
 TOTAL PAID = \$52297.05



PERMIT (PAGE 2 of 2)

PROJECT/SITE/BUILDING DESCRIPTION

JOB Address : 11767 HARBOR BLVD
 Suite :
 PERMIT NO. : 56953
 Permit Type : BUILDING
 Type : B33
 REPAIRS
 Owner : LANDMARK CO. LLC.
 Applicant : NEILSON DILLINGHAM
 Appl Address : 1500 W. CARSON ST # 100
 LONG BEACH, CA 90810
 Phone : 310 952-8880
 Insp Dist : ZB
 Date : 03/28/01
 Parcel No : 23318301

Value : 200000
 Floor area : 0

PROPOSED WORK:

REMEDITATION OF DAMAGED SHEET ROCK.

- Klupen Damatic

FEES

111 32410 Permit	1	2400.00
TOTAL		2400.00

INSPECTION RECORD

APPROVAL	DATE	INSPECTOR
Pre Inspect	_____	_____
Foundation	_____	_____
Concrete Floor	_____	_____
Reinforcing	_____	_____
Masonry	_____	_____
Roof Shtg	_____	_____
Rough Frame	_____	_____
Insul / Energy	_____	_____
Drywall	_____	_____
Lath	_____	_____
Plas. Brown Ct.	_____	_____
Landscaping	_____	_____
Pre Gunite	_____	_____
Pre Deck	_____	_____
Pre Plaster	_____	_____
Planning Final	<i>10/29/01</i>	<i>[Signature]</i>
Bldg Final	<i>10/29/01</i>	<i>[Signature]</i>
Utility Notified	_____	_____

AUTHORIZATION

Issued By: jimc Date _____

DECLARATION

I certify that I have read this application/permit and state that the information on all pages of this document is correct. I agree to comply with all City and County ordinances and State laws relating to building construction, and hereby authorize representatives of this City and County to enter upon the above mentioned property for inspection purposes.

Applicant's Signature [Signature]

Print Name Ken Hasson Date 3/27/01

***** VALIDATION *****
 PAID ON 28 Mar 2001 AT 15:02
 RECEIVED BY LARAINEM 198.245.206.215/2 TRANS# 101
 AMOUNT PAID \$2400.00 BY CHECK#002072
 TOTAL PAID = \$2400.00



General Information: 714-741-5307

CITY OF GARDEN GROVE - DEVELOPMENT SERVICES DEPARTMENT

Inspection Requests: 714-741-5332

PERMIT (PAGE 2 of 2)

PROJECT/SITE/BUILDING DESCRIPTION

JOB Address : 11767 HARBOR BLVD
 Suite :
 PERMIT NO. : 49509
 Permit Type : BUILDING
 Type : B3
 COMMERCIAL BUILDING
 Owner : LANDMARK CO. LLC
 Applicant : OWNER
 Appl Address : 11767 HARBOR BLVD
 Phone :
 Insp Dist : ZB
 Date : 09/14/99
 Parcel No : 23318301
 Value : 33000000
 Floor area : 321517

PROPOSED WORK:

FOUNDATION ONLY PERMIT-FOR 14 STORY EMBA SSY SUITES HOTEL

FEEES

111 32509 Plan Check	1	76994.98
111 32410 Permit	1	118453.82
111 32401 ISSUANCE	1	35.00
111 32435 Strong Motion Fee (C	1	6630.32
942 22130 General Plan	1	38693.84
080 32550 Cultural Arts	1	19058.16
080 32542 ART IN PUBLIC PLACES	1	18500.00
TOTAL		278366.12

INSPECTION RECORD

APPROVAL	DATE	INSPECTOR
Pre Inspect		
Foundation		
Concrete Floor		
Reinforcing		
Masonry		
Roof Shtg		
Rough Frame		
Insul / Energy		
Drywall		
Lath		
Plas. Brown Ct.		
Landscaping		
Pre Gunitite		
Pre Deck		
Pre Plaster		
Planning Final		
Bldg Final	12/5/02	[Signature]
Utility Notified		

AUTHORIZATION

Issued By: _____ Date _____

DECLARATION

I certify that I have read this application/permit and state that the information on all pages of this document is correct. I agree to comply with all City and County ordinances and State laws relating to building construction, and hereby authorize representatives of this City and County to enter upon the above mentioned property for inspection purposes.

Applicant's Signature _____

Print Name _____ Date _____

JOB Address : 11767 HARBOR BLVD
 Suite :
 PERMIT NO. : 49509
 Permit Type : BUILDING
 Type : B3
 COMMERCIAL BUILDING
 Owner : LANDMARK CO. LLC
 Applicant : OWNER
 Appl Address : 11767 HARBOR BLVD

FOUNDATION ONLY PERMIT-FOR 14 STORY EMBA SSY
 SUITES HOTEL

Phone :

Insp Dist : ZB
 Date : 09/14/99
 Parcel No : 23318301

Value : 33000000
 Floor area : 321517

111 32509 Plan Check	1	76994.98
111 32410 Permit	1	118453.82
111 32401 ISSUANCE	1	35.00
111 32435 Strong Motion Fee (C	1	6630.32
942 22130 General Plan	1	38693.84
080 32550 Cultural Arts	1	19058.16
080 32542 ART IN PUBLIC PLACES	1	18500.00

TOTAL 278366.12

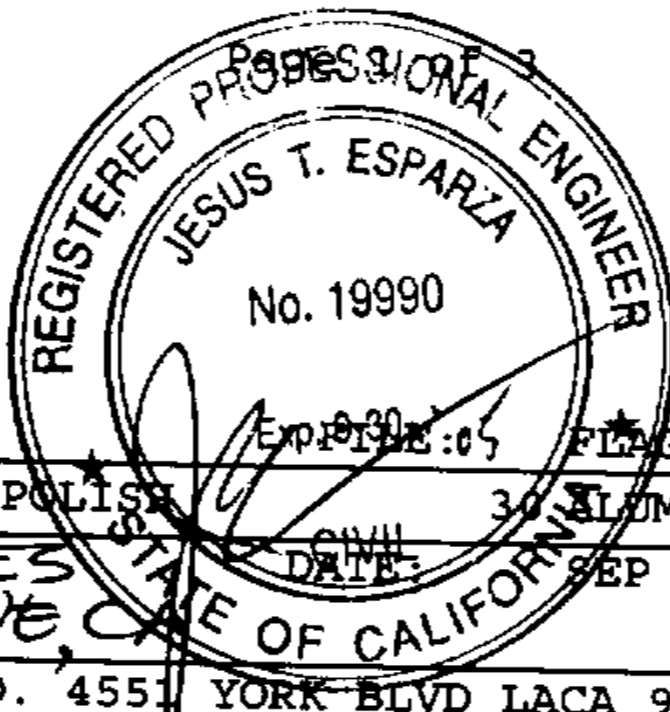
APPROVAL	DATE	INSPECTOR
Pre Inspect	_____	_____
Foundation	_____	_____
Concrete Floor	_____	_____
Reinforcing	_____	_____
Masonry	_____	_____
Roof Shtg	_____	_____
Rough Frame	_____	_____
Insul / Energy	_____	_____
Drywall	_____	_____
Lath	_____	_____
Plas.Brown Ct.	_____	_____
Landscaping	_____	_____
Pre Gunit	_____	_____
Pre Deck	_____	_____
Pre Plaster	_____	_____
Planning Final	_____	_____
Bldg Final	_____	_____
Utility Notified	_____	_____

PLAN CHECK # BB 846
THIS IS [REDACTED] A PERMIT

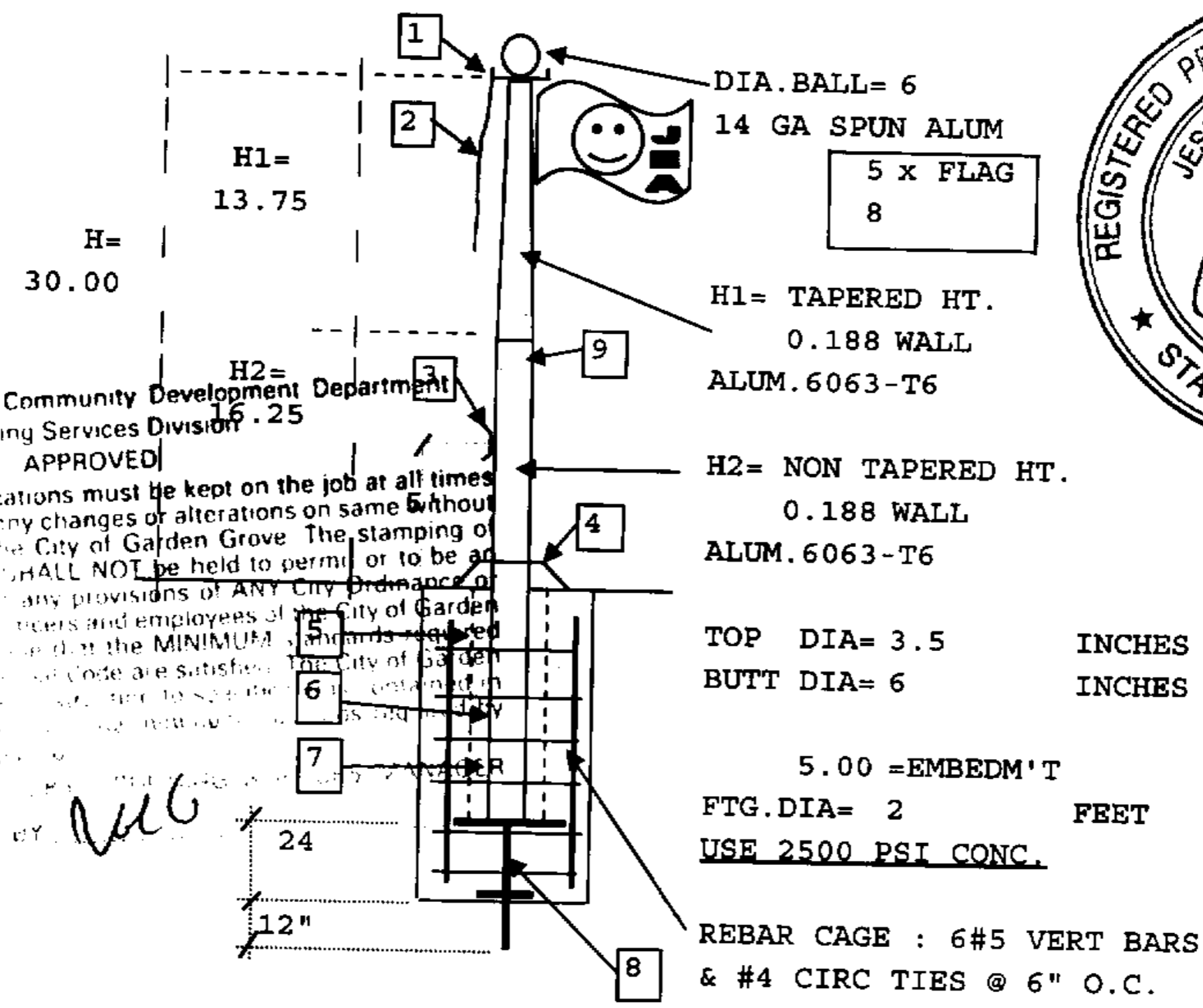
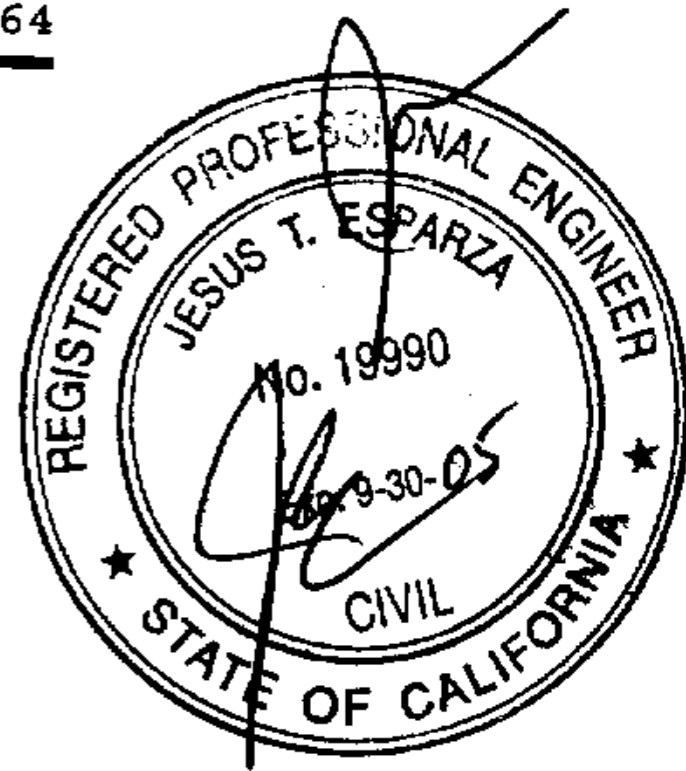
EXPIRATION OF PLAN REVIEW. Applications for which no permit is issued within 180 days following the date of application shall expire by limitation, and plans and other data submitted for review may thereafter be returned to the applicant or destroyed by the building official. The building official may extend the time for action by the applicant for a period not exceeding 180 days on request by the applicant showing that circumstances beyond the control of the applicant have prevented action from being taken. No application shall be extended more than once. In order to renew action on an application after expiration, the applicant shall resubmit plans and pay a new plan review fee.

***** VALIDATION *****
 PAID ON 24 Sep 1999 AT 08:40
 RECEIVED BY LARAINEM 198.245.206.215/2 TRANS# 6
 AMOUNT PAID \$278366.12 BY CHECK#676033156
 TOTAL PAID = \$278366.12

Jess Esparza & Associates
 6107 YORK BLVD
 LOS ANGELES, CA 90042
 323/256-8157



FLAGPOLE ALUM POLE: 150 GRIT POLISH
 JOB: **EMBASSY SUITES**
 OWNER: **GARDEN GROVE**
 CONTRACTOR: SO CAL FLAGPOLE CO. 4551 YORK BLVD LACA 90042 LIC# 176064



City of Garden Grove, Community Development Department
 Building Services Division
 APPROVED

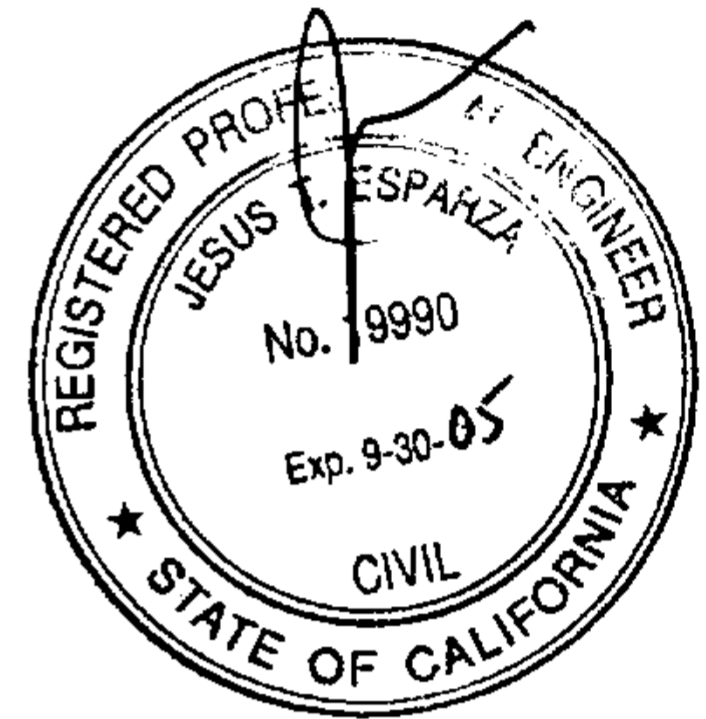
1. All plans & specifications must be kept on the job at all times
 2. It is unlawful to make any changes or alterations on same without
 3. permission from the City of Garden Grove. The stamping of
 4. specifications SHALL NOT be held to permit or to be an
 5. indication of any provisions of ANY City Ordinance or
 6. any other laws, rules and regulations of the City of Garden
 7. Grove. The City of Garden Grove does not warrant that the MINIMUM
 8. standards required by the City of Garden Grove are satisfied
 9. by the use of the specifications contained in this contract.

10/24/01

- 1 REVOLVING, NON-FOULING TRUCK, CAST ALUM BODY, STAINLESS STEEL BALL BEARINGS AND NYLON SHEAVES.
 - 2 4-BRONZE SWIVEL SNAPS AND SET OF HALYARDS
 - 3 9" CAST ALUM CLEAT
 - 4 ALUMINUM FLASH COLLAR W/CONC WATER PROOFING AND CAULKING
 - 5 FOUNDATION 16 GA. SLEEVE W/HARDWOOD WEDGES
 - 6 BLACK ASPHALTUM PAINT INSIDE AND OUTSIDE SURFACES OF POLE BELOW GRADE.
 - 7 DRY SAND TIGHTLY TAMPED AFTER ALIGNING POLE
 - 8 3/16 BASE AND SUPPORT PLATE WELDED TO GROUND SPIKE
 - 9 ALL SHAFTS WITH AN OVER ALL LENGTH OF MORE THAN 38'-6" ARE SHIPPED IN TWO SECTIONS.
- EACH SECTION MATCH MARKED FOR FIELD ASSEMBLY, EXPOSED PORTION OF JAM SLEEVE MUST BE WELL LUBRICATED PRIOR TO ASSEMBLY.
 1 1/2" MAX SHOP GAP ALLOWED FOR FIELD FITTING.

TABLE NO. 16-G COMBINED HEIGHT, EXPOSURE AND GUST FACTOR COEFFICIENT (Ce)

Ht. above ground	Ce for Exposure C							
0 - 15								
20								
25								
30								
40								
60								
80								
100								
Basic Wind Speed (MPH)	70	80	90	100	110	120	130	
Press. (qs) in (PSF)	12.6	16.4	20.8	25.6	31.0	36.9	43.3	



30 FT FLAGPOLE UBC 1997
WINDLOAD 70 MPH EXPOSURE C
 $P = Ce * Cq * qs * I$
Ce: 0-15 = 1.06 P = 18.70 (WIND PRESSURE)
Ce: 15-30 = 1.23 P = 21.70 (WIND PRESSURE)

qs = 12.60 @ 70 MPH
Cq = 1.40
I = 1.00
Ch = 1.10

FLAG AREA 40.00 SQFT
FLAG DRAG 47.73 LBS
5 x 8
 $(.0014) (V^2) (FLAG AREA^{1/2}) * Ch$
Per NAAMM Specs
TAPERED POLE HT (H1) = 13.75 AREA 1 = 5.44 SQFT
NON TAPERED POLE HT (H2) = 16.25 AREA 2 = 8.13 SQFT
TOTAL POLE HT. (H) = 30.00 TOTAL A = 13.57 SQFT

TOP BALL DIAMETER = 6.00 INCH DIA.
TOP BALL AREA = 0.20 SQ. FT.
POLE TOP DIAMETER (OD) = 3.50 INCH DIA.
POLE BUTT DIAMETER (OD) = 6.00 INCH DIA.
POLE WALL THICKNESS = 0.188 INCH.

MOMENT@BASE

	AREA	x WIND P=	FORCE x MOM.ARM=	BASE MOM.
TOP BALL=	0.20	21.70	4.26	128.87
FLAGDRAG=			47.73	1312.44
POLE=	5.44	21.70	118.09	2730.87
	8.13	18.70	151.92	1234.39
			-----	-----
		SUM F=	322.00 #	SUM M= 5406.57 FT-#
		SUM M	5406.57	
		h= -----	-----	16.79 FT
USE ALUM 6063 - T6 ALLOY		SUM F	322.00	

Fb = $1.17 * \frac{25 * 1.33}{1.65} = 23.6$ KSI

S = $\frac{3.1416 (d1 - d2)}{32 * d1}$

d1 = 6 INCH DIA.
d2 = 5.624 INCH DIA.
TH'KNESS = 0.188 INCH.

S = 4.8364699
fb = 13414 PSI < 25000 PSI allow OK

THEREFORE USE : 6 INCH DIA x 0.188 TH



FOOTING ASSUME CLASS 5 SOIL TABLE 18-I-A UBC 1997

TRY 2 FT x 5 (FT EMBEDMENT)
S1 = $\frac{5}{3} * 100 * 2 * 1.333 = 444$

A = $\frac{2.34P}{S1 b}$
d = $\frac{A}{2} [(1 + (1 + (4.36h/A))^{0.5})]$

A = $\frac{2.340 * 322.00137}{444.33 * 2.00} = 0.848$

d = $\frac{0.848}{2} [(1 + (1 + 4.36 * 16.79)) / (0.848)^{0.5}]$

d = 4.39 FT. (EMBEDMENT)

SAY
THEREFORE USE : 2 FT DIA x 4.39 FT.

CONC = 2500 PSI (FOOTING EMBEDMENT)

REBAR: ASTM A615 GRADE 40

MIN. REINF = .0018 X FOOTING CROSS SECTIONAL AREA
= 0.01 USE 6#5 VERT BARS &
& #4TIES @6" O.C.



General Information: 714-741-5307

CITY OF GARDEN GROVE - DEVELOPMENT SERVICES DEPARTMENT

Inspection Requests: 714-741-5332

PERMIT (PAGE 2 of 2)

PROJECT/SITE/BUILDING DESCRIPTION

JOB Address : 11767 HARBOR BLVD
 Suite :
 PERMIT NO. : 59636
 Permit Type : BUILDING
 Type : B21
 MISCELLANEOUS
 Owner : TOGNAZZINI TERRY GARDEN GROVE
 Applicant : SO CALIF FLAGPOLE
 Appl Address : 4551 YORK BLVD
 LOS ANGELES, CA 90041
 Phone : 323 257 8201
 Insp Dist : ZB
 Date : 10/04/01
 Parcel No : 23318301

Value : 4000
 Floor area : 0

PROPOSED WORK:

TWO 30' HIGH FLAGPOLES

FEEES

111 32509 Plan Check	1	78.57
111 32410 Permit	1	120.87
111 32401 issuance	1	35.00
111 32435 Strong Motion Fee (C	1	.84
942 22130 General Plan	1	6.03
080 32550 Cultural Arts	1	2.97
TOTAL		244.28

INSPECTION RECORD

APPROVAL	DATE	INSPECTOR
Pre Inspect		
Foundation	10/9/01	[Signature]
Concrete Floor		
Reinforcing		
Masonry		
Roof Shtg		
Rough Frame		
Insul / Energy		
Drywall		
Lath		
Plas. Brown Ct.		
Landscaping		
Pre Gunit		
Pre Deck		
Pre Plaster		
Planning Final		[Signature]
Bldg Final	10/30/01	[Signature]
Utility Notified		

AUTHORIZATION

Issued By: valq _____ Date _____

DECLARATION

I certify that I have read this application/permit and state that the information on all pages of this document is correct. I agree to comply with all City and County ordinances and State laws relating to building construction, and hereby authorize representatives of this City and County to enter upon the above mentioned property for inspection purposes.

Applicant's Signature [Signature]

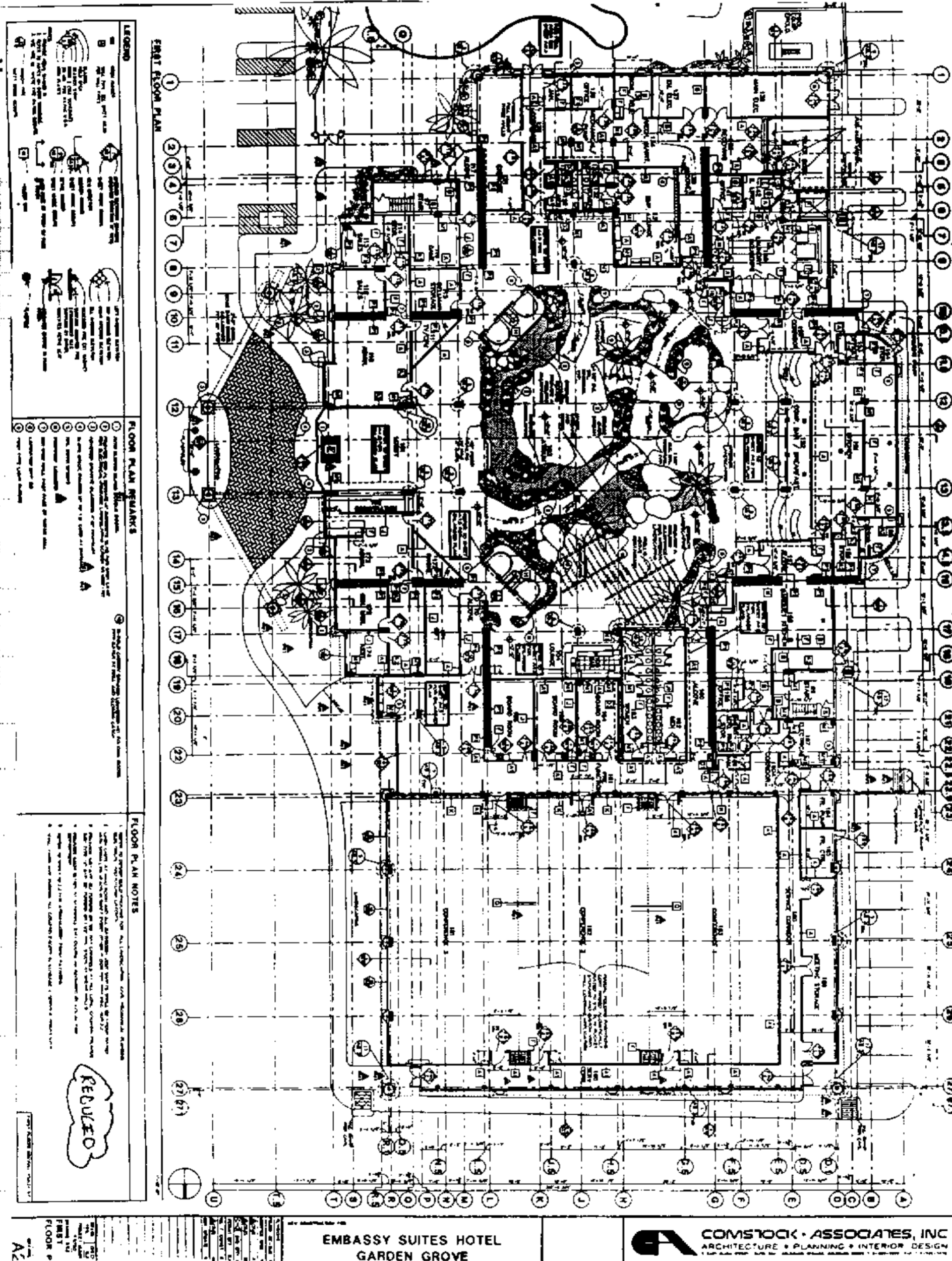
Print Name W.F. Vallee Date 10/4/01

***** VALIDATION *****
 PAID ON 04 Oct 2001 AT 14:45
 RECEIVED BY LARAINEM 198.245.206.215/2 TRANS# 131
 AMOUNT PAID \$244.28 BY CHECK#31202
 TOTAL PAID = \$244.28

Plot Plan Form

Planning Action:	Zone: <i>RD</i>	Coverage:	Job Address: <i>11767 Hubbard Blvd</i>	Permit No.: <i>59636</i>
Approved By: <i>[Signature]</i>	Date: <i>10/4/01</i>	Increase:	Assessor Parcel No.: <i>233-183-01</i>	Tract & Lot #:
Remarks:			Occupancy:	Const Type: <i>Flag Pole</i>
			<input checked="" type="checkbox"/> New	<input type="checkbox"/> Alter <input type="checkbox"/> Add <input type="checkbox"/> Repair <input type="checkbox"/> Demo
				Value: <i>4,000</i>

Job Description: *Two (2) 30' high FLAG Poles*



I certify the information hereon is complete & correct.

Embassy Suites
Owner's Name (print)

Fred Valier
Signature (owner/agent)

10/4/01
Date



General Information: 714-741-5307

CITY OF GARDEN GROVE - DEVELOPMENT SERVICES DEPARTMENT

Inspection Requests: 714-741-5332

PERMIT (PAGE 2 of 2)

PROJECT/SITE/BUILDING DESCRIPTION

JOB Address : 11767 HARBOR BLVD
 Suite :
 PERMIT NO. : 59833
 Permit Type : BUILDING
 Type : B10
 MASONRY FENCES
 Owner : LANDMARK
 Applicant : OWNER
 Appl Address : 11767 HARBOR BLVD
 Phone :
 Insp Dist : ZB
 Date : 10/18/01
 Parcel No : 23318301

Value : 3288
 Floor area : 548

PROPOSED WORK:

TRASH COMPACTOR ENCLOSURE.

FEES

111 32509 Plan Check	1	78.57
111 32410 Permit	1	120.87
111 32401 issuance	1	35.00
111 32435 Strong Motion Fee (C	1	.69
942 22130 General Plan	1	5.20
080 32550 Cultural Arts	1	2.56
TOTAL		242.89

INSPECTION RECORD

APPROVAL	DATE	INSPECTOR
Pre Inspect		
Foundation	11/23/01	SEE SPECIAL LOG
Concrete Floor		
Reinforcing		
Masonry	11/25/01	
Roof Shtg		
Rough Frame		
Insul / Energy		
Drywall		
Lath		
Plas. Brown Ct.		
Landscaping		
Pre Gunite		
Pre Deck		
Pre Plaster		
Planning Final		
Bldg Final	10/22/01	
Utility Notified		

AUTHORIZATION

Issued By: jimc Date

DECLARATION

I certify that I have read this application/permit and state that the information on all pages of this document is correct. I agree to comply with all City and County ordinances and State laws relating to building construction, and hereby authorize representatives of this City and County to enter upon the above mentioned property for inspection purposes.

Applicant's Signature *[Signature]*

Print Name DEBRA BURN Date 10/18/01

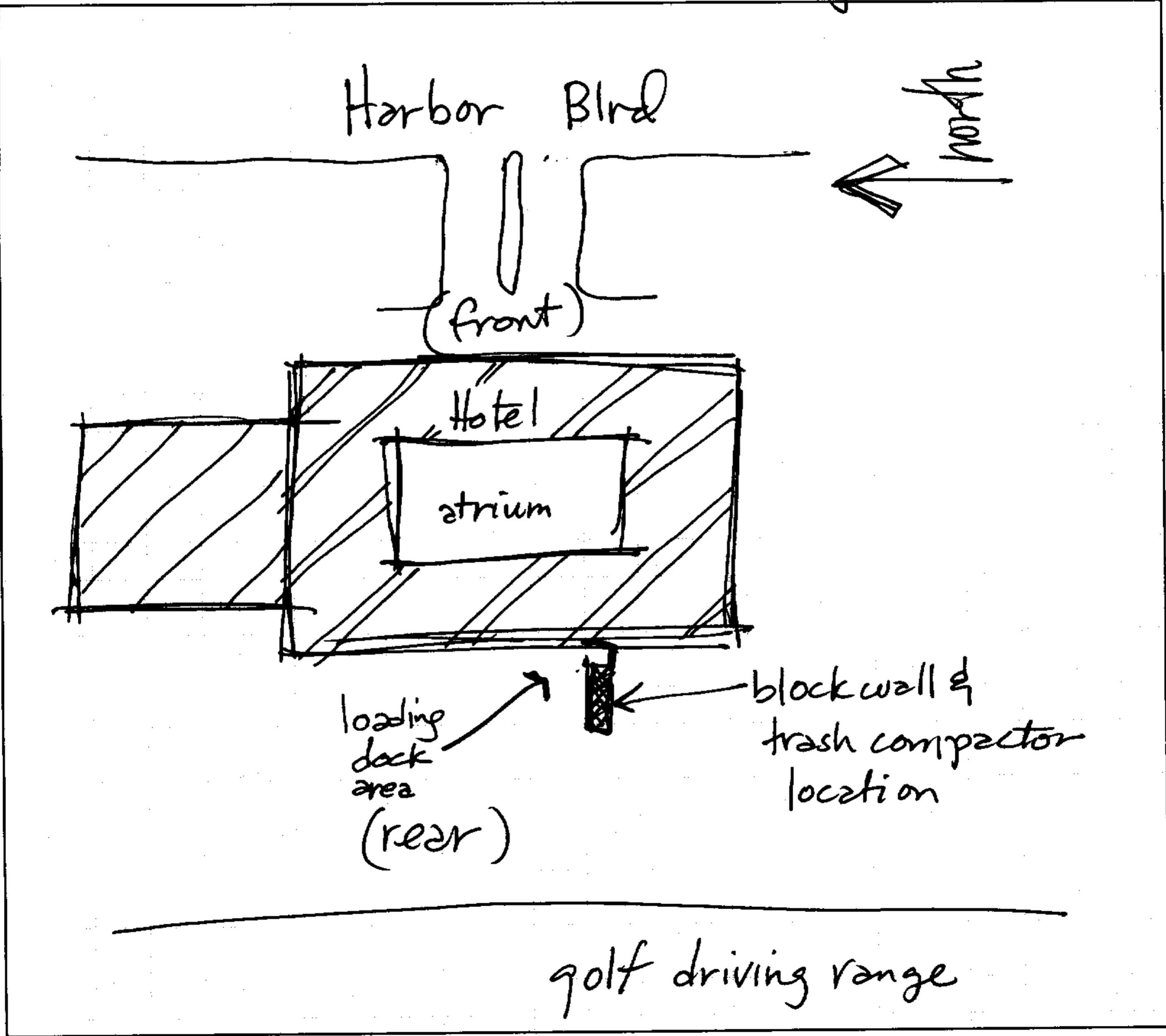
***** VALIDATION *****
 PAID ON 18 Oct 2001 AT 10:16
 RECEIVED BY LARAINEM 198.245.206.215/2 TRANS# 25
 AMOUNT PAID \$242.89 BY CHECK#2137
 TOTAL PAID = \$242.89

Plot Plan Form

Planning Action: <i>Approval</i>	Zone: <i>PUD</i>	Coverage:
Approved By: <i>KA</i>	Date: <i>10-17-01</i>	Increase:
Remarks:		

Job Address: <i>11767 Harbor Blvd</i>	Permit No: <i>59833</i>
Assessor Parcel No: <i>23318301</i>	Tract & Lot #:
Occupancy:	Const. Type:
Value: <i>3288</i>	
<input type="checkbox"/> New <input type="checkbox"/> Alter <input type="checkbox"/> Add <input type="checkbox"/> Repair <input type="checkbox"/> Demo	

Job Description: Blockwall enclosure for trash compactor
 Block wall 9' high x 40' linear feet
 color coat black to match building

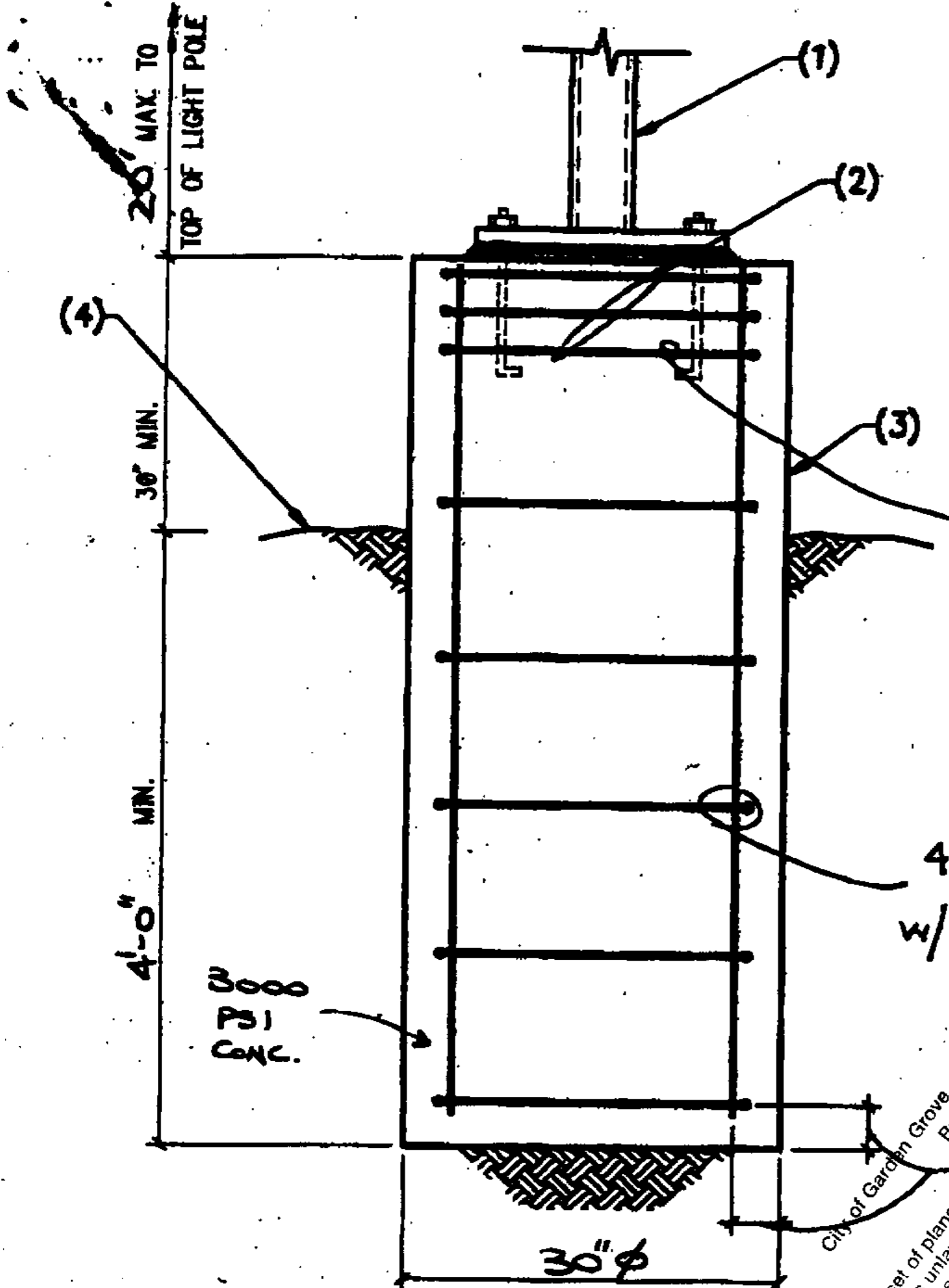


I certify the information hereon is complete & correct.

Ken Hassett
 Owner's Name (print)

Ken Hassett
 Signature (owner/agent)

10/17/01
 Date



NOTES:

1. LIGHT POLE, BASEPLATE, AND ANCHOR BOLTS BY OTHERS.
2. 3 #4 TIES IN TOP 5".
3. DIA CONCRETE BASE WITH 4 #6 VERTICALS AND #4 TIES AT 12" O.C. VERTICALLY (CONCRETE STRENGTH = 3000 PSI).
4. FINISHED GRADE.

3 #4 TIES IN TOP 5"

4 #6 VERTICALS W/ #4 TIES SPACED

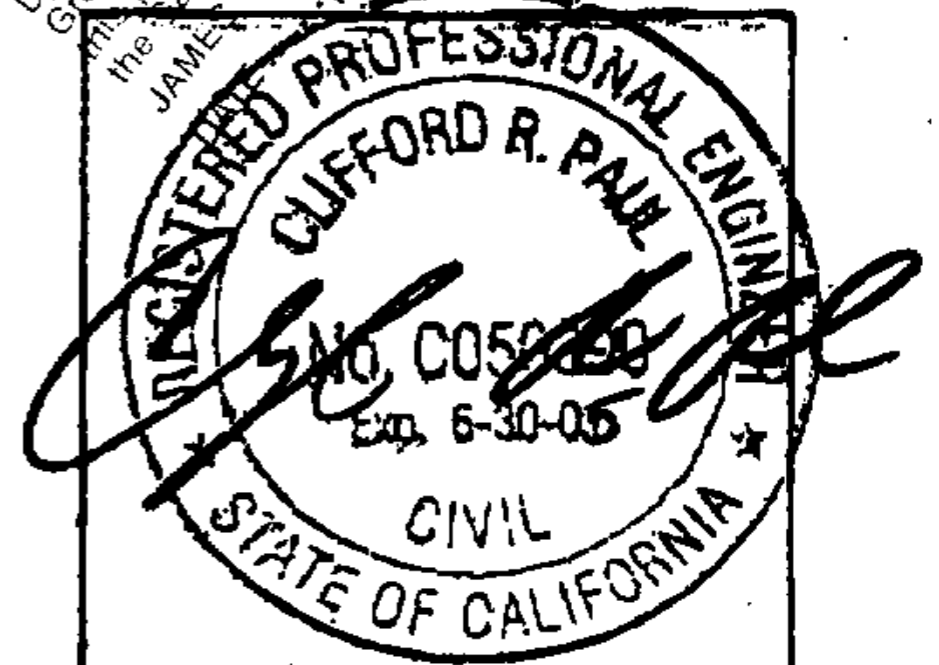
3000 PSI CONC.

30" φ

8K-1 LIGHT POLE BASE

City of Garden Grove, Community Development Department
 Building Services Division
 APPROVED
 This set of plans & specifications must be kept on the job at all times and it is unlawful to make any changes or alterations on same without written permission from the City of Garden Grove. The stamping of this plan & specifications SHALL NOT be held to permit or to be an approval or the violation of any provisions of ANY City Ordinance or State Law, inspections by officers and employees of the City of Garden Grove are made to determine that the MINIMUM standards required by the Garden Grove Municipal Code are satisfied. The City of Garden Grove does not guarantee construction to specifications contained in the plan which are greater than the minimum standards required by the Garden Grove Municipal Code.
 JAMES A. MARTIN, JR., C.B.O., BUILDING SERVICES MANAGER

PAUL • KOEHLER
 CONSULTING STRUCTURAL ENGINEERS INC.
 7170 E. McDONALD DRIVE SUITE 8
 SCOTTSDALE, ARIZONA 85251 (802) 948-8854
 FAX (802) 922-3739



TITLE EMBASSY SUITES GARDEN GROVE, CALIFORNIA	JOB NUMBER 80374	DRAWN AB	SHEET SK-1
	DATE 7/01	ENGR CP	



General Information: 714-741-5307

CITY OF GARDEN GROVE - DEVELOPMENT SERVICES DEPARTMENT

Inspection Requests: 714-741-5332

PERMIT (PAGE 2 of 2)

PROJECT/SITE/BUILDING DESCRIPTION

JOB Address : 11767 HARBOR BLVD
 Suite :
 PERMIT NO. : 58659
 Permit Type : BUILDING
 Type : B21
 MISCELLANEOUS
 Owner : TOGNAZZINI TERRY GARDEN GROVE
 Applicant : NIELSEN DILLINGHAM BUILDERS
 Appl Address : 1500 W. CARSON ST # 100
 LONG BEACH, CA 90810
 Phone : 310 952-8880
 Insp Dist : ZB
 Date : 07/27/01
 Parcel No : 23318301

Value : 10000
 Floor area : 0

PROPOSED WORK:

LIGHT STANDARDS FOR HOTEL PARKING LOT

FEEES

111 32509 Plan Check	1	131.27
111 32410 Permit	1	201.96
111 32401 issuance	1	35.00
942 22130 General Plan	1	13.07
080 32550 Cultural Arts	1	6.44
TOTAL		387.74

INSPECTION RECORD

APPROVAL	DATE	INSPECTOR
Pre Inspect		
Foundation		
Concrete Floor		
Reinforcing		
Masonry		
Roof Shtg		
Rough Frame		
Insul / Energy		
Drywall		
Lath		
Plas. Brown Ct.		
Landscaping		
Pre Gunite		
Pre Deck		
Pre Plaster		
Planning Final		
Bldg Final	10/29/01	[Signature]
Utility Notified		

AUTHORIZATION

Issued By: valq _____ Date _____

DECLARATION

I certify that I have read this application/permit and state that the information on all pages of this document is correct. I agree to comply with all City and County ordinances and State laws relating to building construction, and hereby authorize representatives of this City and County to enter upon the above mentioned property for inspection purposes.

Applicant's Signature [Signature]

Print Name [Signature] Date 10/27/01

***** VALIDATION *****
 PAID ON 27 Jul 2001 AT 13:57
 RECEIVED BY LARAINEM 198.245.206.215/2 TRANS# 113
 AMOUNT PAID \$387.74 BY CHECK#2093
 TOTAL PAID = \$387.74



PERMIT (PAGE 2 of 2)

PROJECT/SITE/BUILDING DESCRIPTION

JOB Address : 11767 HARBOR BLVD
Suite :
PERMIT NO. : 57181
Permit Type : POOL
Type : B8
SWIMMING POOLS
Owner : LANDMARK, LLC
Applicant : AQUATIC TECHNOLOGIES
Appl Address : 3224-A PASEO ADELANTO
SAN JUAN CAP, CA 92675
Phone : 949 493-9548
Insp Dist : ZB
Date : 04/10/01
Parcel No : 23318301
Value : 47800
Floor area : 1280

PROPOSED WORK:

POOL & SPA FOR EMBASSY SUITES.

FEEES

Table with 3 columns: Description, Quantity, Amount. Includes items like Permit, issuance, General Plan, Cultural Arts, etc. Total: 950.07

INSPECTION RECORD

APPROVAL DATE INSPECTOR
Pre Inspect
Foundation
Concrete Floor
Reinforcing
Masonry
Roof Shtg
Rough Frame
Insul / Energy
Drywall
Lath
Plas. Brown Ct.
Landscaping
Pre Gunitite
Pre Deck
Pre Plaster
Planning Final
Bldg Final 10/29/01
Utility Notified

AUTHORIZATION

Issued By: jimc Date

DECLARATION

I certify that I have read this application/permit and state that the information on all pages of this document is correct. I agree to comply with all City and County ordinances and State laws relating to building construction, and hereby authorize representatives of this City and County to enter upon the above mentioned property for inspection purposes.

Applicant's Signature
Print Name David B. Hart Date 4-10-01

***** VALIDATION *****
PAID ON 10 Apr 2001 AT 12:02
RECEIVED BY LARAINEM 198.245.206.215/2 TRANS# 73
AMOUNT PAID \$950.07 BY CHECK#5710
TOTAL PAID = \$950.07



General Information: 714-741-5307

CITY OF GARDEN GROVE - DEVELOPMENT SERVICES DEPARTMENT

Inspection Requests: 714-741-5332

PERMIT (PAGE 2 of 2)

PROJECT/SITE/BUILDING DESCRIPTION

JOB Address : 11767 HARBOR BLVD
 Suite :
 PERMIT NO. : 57944
 Permit Type : BUILDING
 Type : B10
 MASONRY FENCES
 Owner : LANDMARK, LLC
 Applicant : OWNER
 Appl Address : 11767 HARBOR BLVD
 Phone :
 Insp Dist : ZB
 Date : 06/06/01
 Parcel No : 23318301

Value : 3000
 Floor area : 400

PROPOSED WORK:

RET WALL FOR FENCE BY OTHERS AROUND SWIMMING POOL

FEEES

111 32410 Permit	1	107.36
111 32401 issuance	1	35.00
942 22130 General Plan	1	4.86
080 32550 Cultural Arts	1	2.39
111 32509 PLAN CHECK FEE CREDI	1	76.32
TOTAL		225.93

INSPECTION RECORD

APPROVAL	DATE	INSPECTOR
Pre Inspect		
Foundation		
Concrete Floor		
Reinforcing		
Masonry		
Roof Shtg		
Rough Frame		
Insul / Energy		
Drywall		
Lath		
Plas. Brown Ct.		
Landscaping		
Pre Gunite		
Pre Deck		
Pre Plaster		
Planning Final		
Bldg Final	10/29/01	[Signature]
Utility Notified		

Pre Inspect _____
 Foundation _____
 Concrete Floor _____
 Reinforcing _____
 Masonry _____
 Roof Shtg _____
 Rough Frame _____
 Insul / Energy _____
 Drywall _____
 Lath _____
 Plas. Brown Ct. _____
 Landscaping _____
 Pre Gunite _____
 Pre Deck _____
 Pre Plaster _____
 Planning Final _____
 Bldg Final 10/29/01 [Signature]
 Utility Notified _____

AUTHORIZATION

Issued By: _____ Date: _____

DECLARATION

I certify that I have read this application/permit and state that the information on all pages of this document is correct. I agree to comply with all City and County ordinances and State laws relating to building construction, and hereby authorize representatives of this City and County to enter upon the above mentioned property for inspection purposes.

Applicant's Signature [Signature]

Print Name Kent Foster Date 6/6/01

***** VALIDATION *****
 PAID ON 06 Jun 2001 AT 16:19
 RECEIVED BY LARAINEM 198.245.206.215/2 TRANS# 171
 AMOUNT PAID \$225.93 BY CHECK#2079
 TOTAL PAID = \$225.93



General Information: 714-741-5307

CITY OF GARDEN GROVE - DEVELOPMENT SERVICES DEPARTMENT

Inspection Requests: 714-741-5332

PERMIT (PAGE 2 of 2)

PROJECT/SITE/BUILDING DESCRIPTION

JOB Address : 11767 HARBOR BLVD
 Suite :
 PERMIT NO. : 56159
 Permit Type : FIRE SUPP.
 Type : B16
 FIRE SPRINKLERS
 Owner : LANDMARK LLC
 Applicant : OWNER
 Appl Address : 11767 HARBOR BLVD
 Phone :
 Insp Dist : FS
 Date : 01/23/01
 Parcel No : 23318301
 Value : 180000
 Floor area : 000

PROPOSED WORK:

FIRE ALARM FOR EMBASSY

FEEES

111 32509 Plan Check	1	993.17
111 32410 Permit	1	1527.96
111 32401 issuance	1	35.00
111 32435 Strong Motion Fee (C	1	.50
942 22130 General Plan	1	212.39
080 32550 Cultural Arts	1	104.61
111 32509 PLAN CHECK FEE CREDI	1	-993.17
TOTAL		1880.46

INSPECTION RECORD

APPROVAL	DATE	INSPECTOR
Pre Inspect		
Foundation		
Concrete Floor		
Reinforcing		
Masonry		
Roof Shtg		
Rough Frame		
Insul / Energy		
Drywall		
Lath		
Plas. Brown Ct.		
Landscaping		
Pre Gunite		
Pre Deck		
Pre Plaster		
Planning Final		
Bldg Final	10-28-01	PS Cole
Utility Notified		

AUTHORIZATION

Issued By: janetw Date

DECLARATION

I certify that I have read this application/permit and state that the information on all pages of this document is correct. I agree to comply with all City and County ordinances and State laws relating to building construction, and hereby authorize representatives of this City and County to enter upon the above mentioned property for inspection purposes.

Applicant's Signature DBradburn
 Print Name DBRADBURN Date 01-25-01

***** VALIDATION *****
 PAID ON 25 Jan 2001 AT 14:01
 RECEIVED BY CAROLH 198.245.206.215/2 TRANS# 80
 AMOUNT PAID \$1880.46 BY CHECK#2061
 TOTAL PAID = \$1880.46

MONTANO 714-654-4463



General Information: 714-741-5307

CITY OF GARDEN GROVE - DEVELOPMENT SERVICES DEPARTMENT

Inspection Requests: 714-741-5332

PERMIT (PAGE 2 of 2)

PROJECT/SITE/BUILDING DESCRIPTION

PROPOSED WORK: ✓

JOB Address : 11767 HARBOR BLVD
Suite :
PERMIT NO. : 81472
Permit Type :
Type : P

SEWER DRAIN LINE FROM WASH DOWN AREA TO EXIST SEWER DRAIN.

Owner : TOGNAZZINI TERRY GARDEN GROVE
Applicant : MONTANO ORTIZ
Phone : 714-539-3300

Contractor : OWNER
Address : 11767 HARBOR BLVD
CityStZip :
Phone :

Insp Dist : ZP
Date : 09/09/05
Parcel No : 23318301

FEES

Table with 4 columns: Fee Code, Description, Quantity, Amount. Includes rows for GENERAL PLAN (2.00), CULTURAL ARTS (1.00), Issuance (35.00), Bldg Sewer (30.00), and TOTAL (68.00).

INSPECTION RECORD

APPROVAL DATE INSPECTOR
Soil Piping
Ground Plumbing
Rough Plumbing
Gas Piping
Gas Vent
Sewer 9-14-05
Main Drain
Vacuum Lines
Water Heater
Backwash
Water Lateral
FINAL 9/20/05
Utility Notified

AUTHORIZATION

Issued By: jimc Date

DECLARATION

I certify that I have read this application/permit and state that the information on all pages of this document is correct. I agree to comply with all City and County ordinances and State laws relating to building construction, and hereby authorize representatives of this City and County to enter upon the above mentioned property for inspection purposes.

Applicant's Signature Montano B. Ortiz
Print Name MONTANO ORTIZ Date 9/19/05

***** VALIDATION *****
PAID ON 09 Sep 2005 AT 14:06
RECEIVED BY RONP 198.245.206.215/2 TRANS# 107
CASH PAID = \$100.00 CASH RETURNED = \$32.00
TOTAL PAID = \$68.00